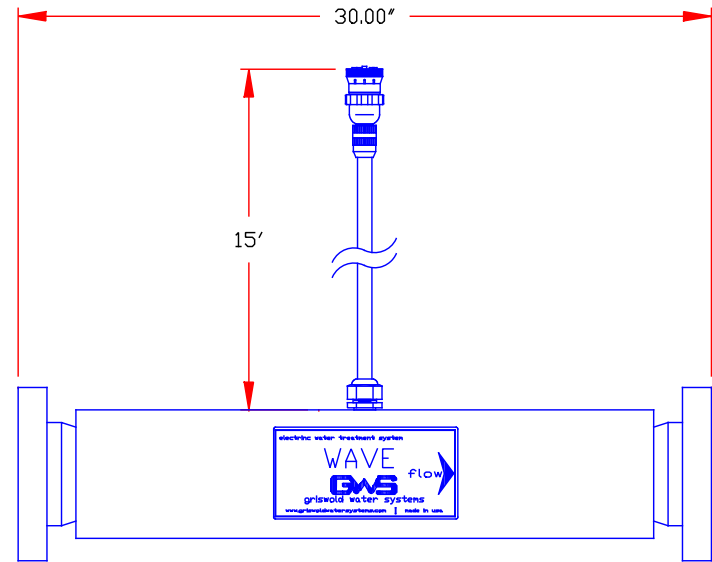
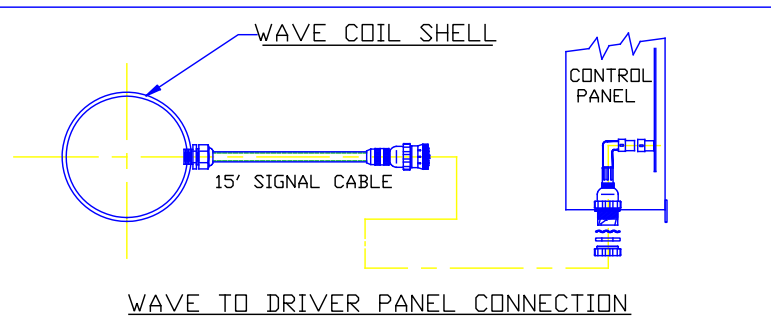


CONTROL PANEL



3" FLG. FRP RC
ELEVATION
SCH 40 PVC SHELL



WAVE TO DRIVER PANEL CONNECTION

THIS DOCUMENT MAY CONTAIN PROPRIETARY INFORMATION. IT MAY NOT BE REPRODUCED OR TRANSFERRED TO OTHERS OR USED FOR MANUFACTURING OR ANY OTHER PURPOSE WITHOUT PRIOR WRITTEN PERMISSION.

GRISWOLD WATER SYSTEMS
1597 INDUSTRIAL DRIVE, NEW SMYRNA BEACH, FL 32168

WAVE 3 INCH

DRAWN	-	DATE	-	MATERIAL:	FRP/PVC	DRAWING NO.	WAVE 300-FF	SIZE	B	REV.	A
APPROD	-		-	WEIGHT:		SCALE	N/A				SHEET 1 OF 1

This drawing is for spatial consideration only. Do not pre-plumb to these dimensions.