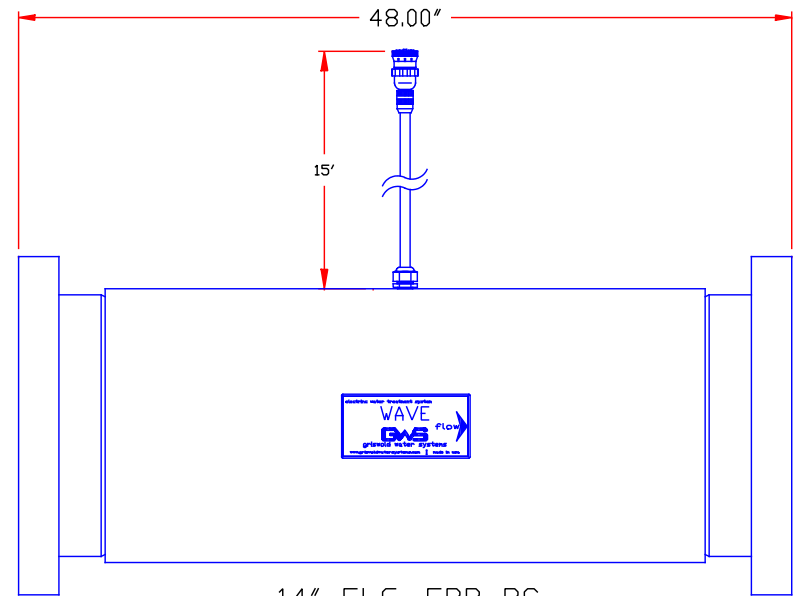
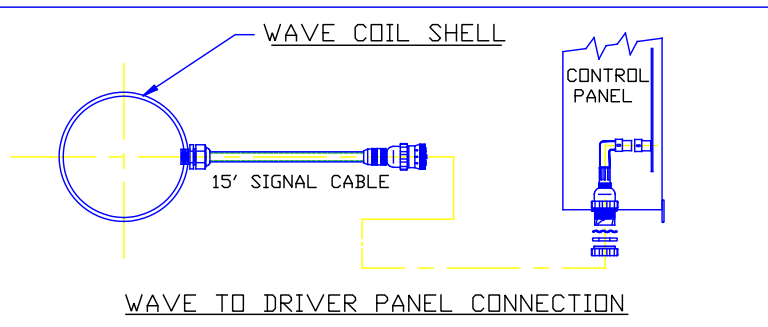


CONTROL PANEL



14" FLG. FRP RC  
ELEVATION  
SCH 40 PVC SHELL



WAVE TO DRIVER PANEL CONNECTION

H:\Drawings\SBC\Reaction Chamber\SBCCEGDET.dwg

THIS DOCUMENT MAY CONTAIN PROPRIETARY INFORMATION. IT MAY NOT BE REPRODUCED OR TRANSFERRED TO OTHERS OR USED FOR MANUFACTURING OR ANY OTHER PURPOSE WITHOUT PRIOR WRITTEN PERMISSION.

**GRISWOLD WATER SYSTEMS**  
1597 INDUSTRIAL DRIVE, NEW SMYRNA BEACH, FL 32168

**WAVE 14 INCH**

DRAWN	-	DATE	-	MATERIAL:	FRP/PVC	DRAWING NO.	WAVE 1400-FF	SIZE	B	REV.	A
APPROD	-		-	WEIGHT:		SCALE	N/A				SHEET 1 OF 1

This drawing is for spatial consideration only. Do not pre-plumb to these dimensions.