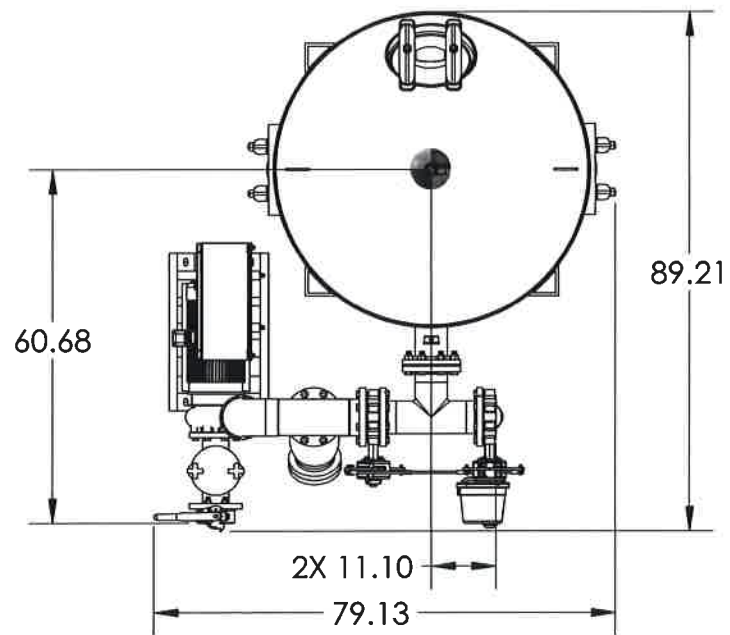
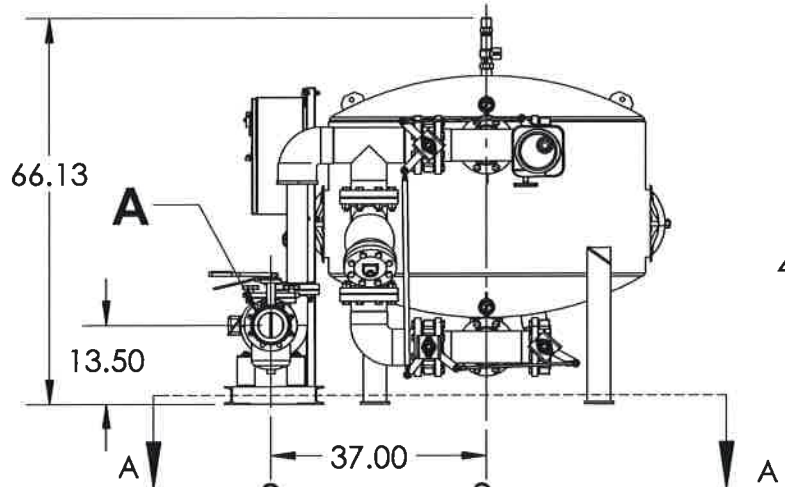


THIS DRAWING IS FOR SPATIAL CONSIDERATION ONLY. AND SUBJECT TO CHANGE W/O PREVIOUS NOTICE, DO NOT PRE-PLUMB TO THESE DIMENSIONS

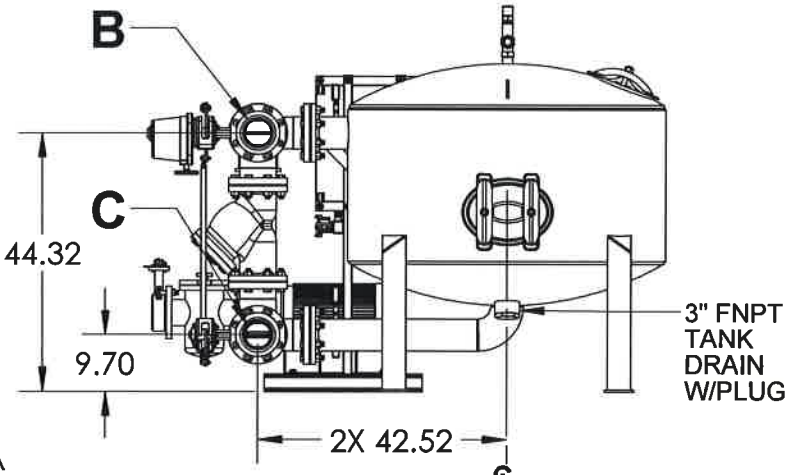
REVISIONS				
ZONE	REV.	DESCRIPTION	DATE	APPROVED
	A	RELEASE FOR PRESENTATION	4/9/2015	



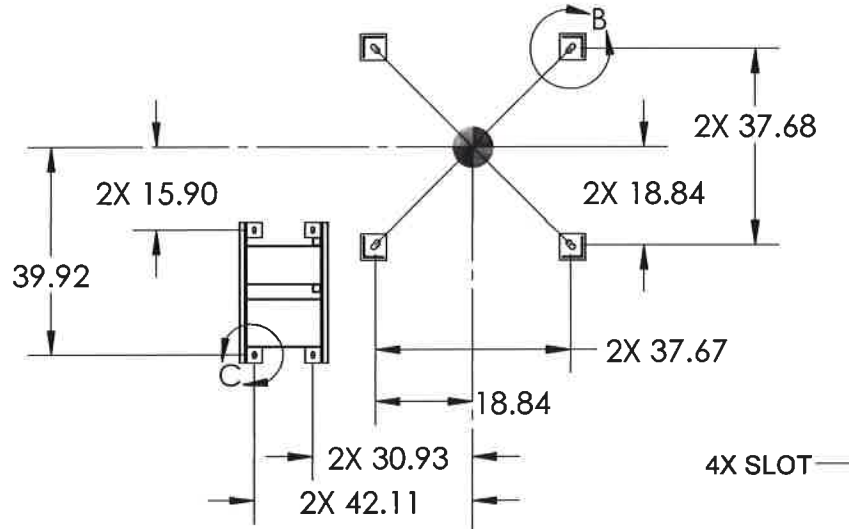
TOP VIEW



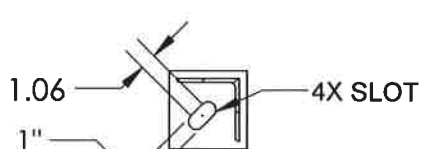
SIDE VIEW



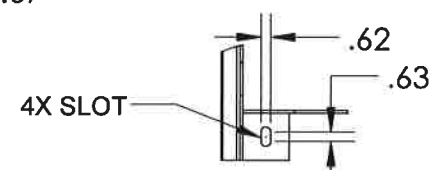
BACK VIEW



SECTION A-A



DETAIL B



DETAIL C

1" FNPT PRESSURE RELIEF VALVE

ELECTRICAL CONTROL PANEL

3X 11" x 15" ACCESS HATCH

3" FNPT TANK DRAIN W/PLUG

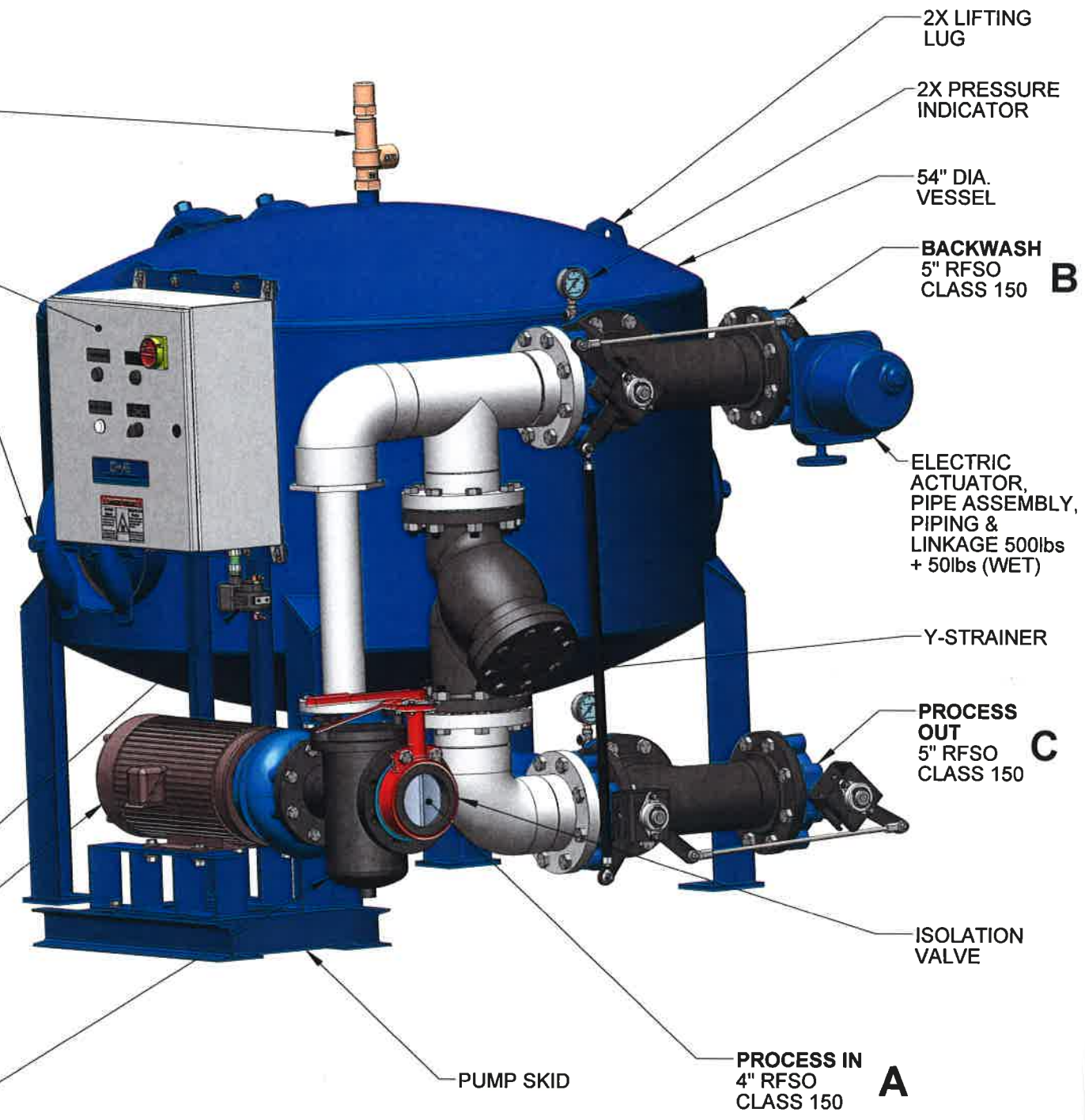
DIFFERENTIAL PRESSURE SWITCH

MOTOR/PUMP

1/4" MESH BASKET FILTER 70 Ins. (OPTIONAL) (SHIPPED LOOSE)

SYSTEM TOTAL ELECTRICAL REQUIREMENTS:  
460 VAC, 3 Φ, 60 HZ, 10HP, 16 FLA

- NOTES:**
1. MAXIMUM VESSEL PRESSURE: 80 psi (5.5 bar)
  2. SYSTEM FLOW: 318 GPM @ 80'
  3. MAXIMUM SYSTEM TEMPERATURE: 100° F (38° C)
  4. MAXIMUM PUMP INLET PRESSURE: 80 psi (5.52 bar)
- CENTER OF VESSEL



DIMENSIONS ARE IN INCHES DIMENSIONS APPLY AFTER FINISHING BREAK ALL SHARP CORNERS	DRAWN	J. Pauletti	DATE	04/09/15
	DESIGN			
FRACTIONAL	± 1/2	CHECK	B. Kazanjy	04/09/15
ANGULAR: MACH	± 1°	APPRD.	T. Boylen	04/09/15
TWO PLACE DECIMAL	± .01	MATERIALS:		
THREE PLACE DECIMAL	± .005	WEIGHT/PC.		
PROPRIETARY AND CONFIDENTIAL THE INFORMATION CONTAINED IN THIS DRAWING IS THE SOLE PROPERTY OF GRISWOLD WATER SYSTEMS. ANY REPRODUCTION IN PART OR AS A WHOLE WITHOUT THE WRITTEN PERMISSION OF GRISWOLD WATER SYSTEMS IS PROHIBITED.				
FINISH:		SIZE DRAWING: NO. <b>B</b>		
		TITLE <b>SF-54-CS-HH</b> SAND FILTER GENERAL ARRANGEMENT		
		SCALE: N.T.S.		
		WEIGHT:		
		SHEET 1 OF 1		