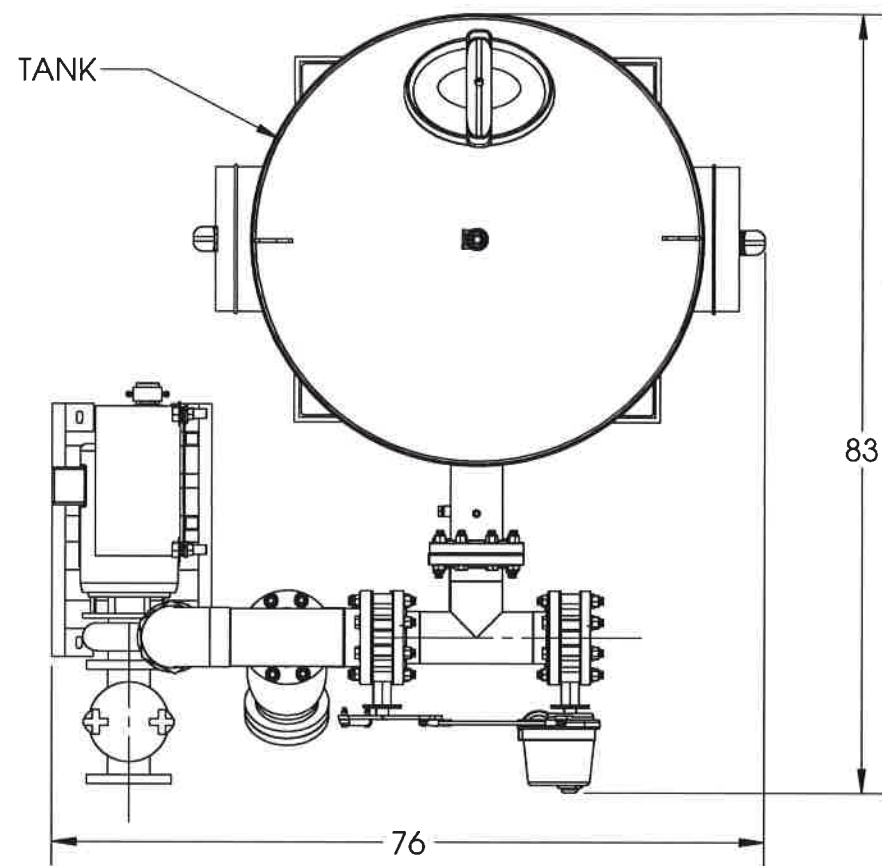
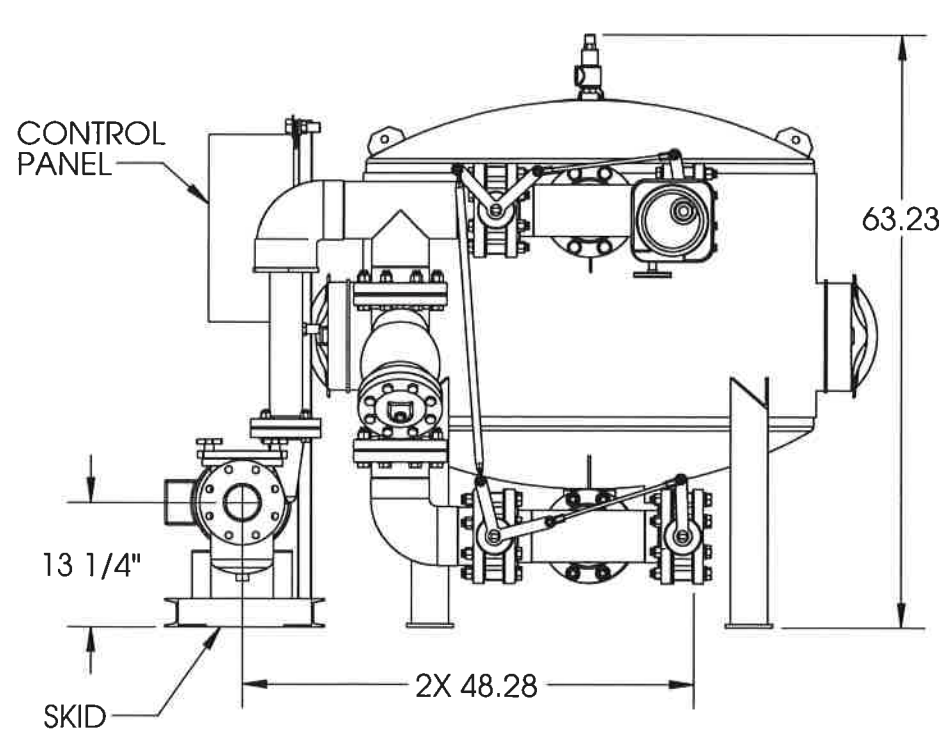
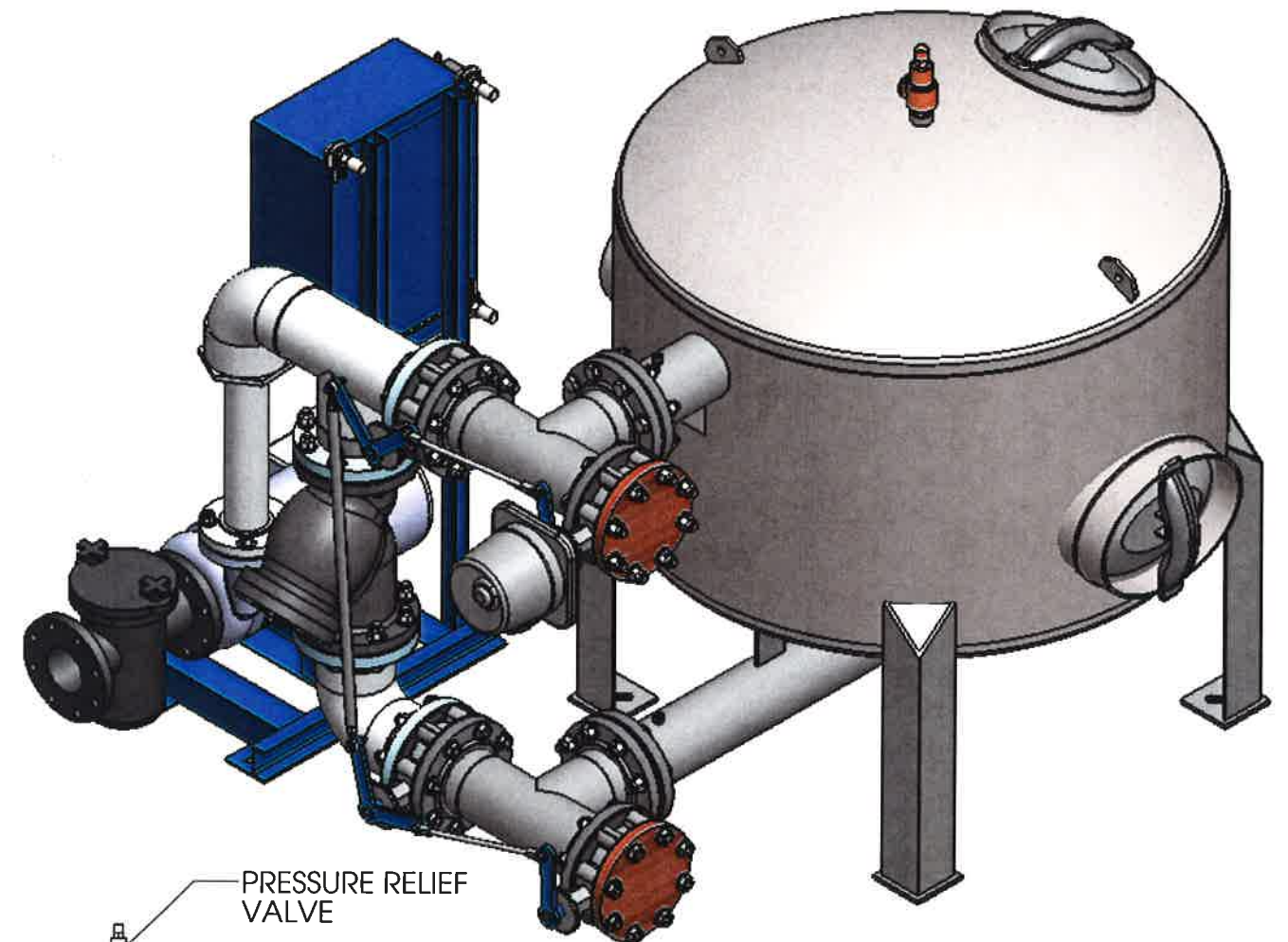


THIS DRAWING IS FOR SPATIAL CONSIDERATION ONLY. DO NOT PRE-PLUMB TO THESE DIMENSIONS

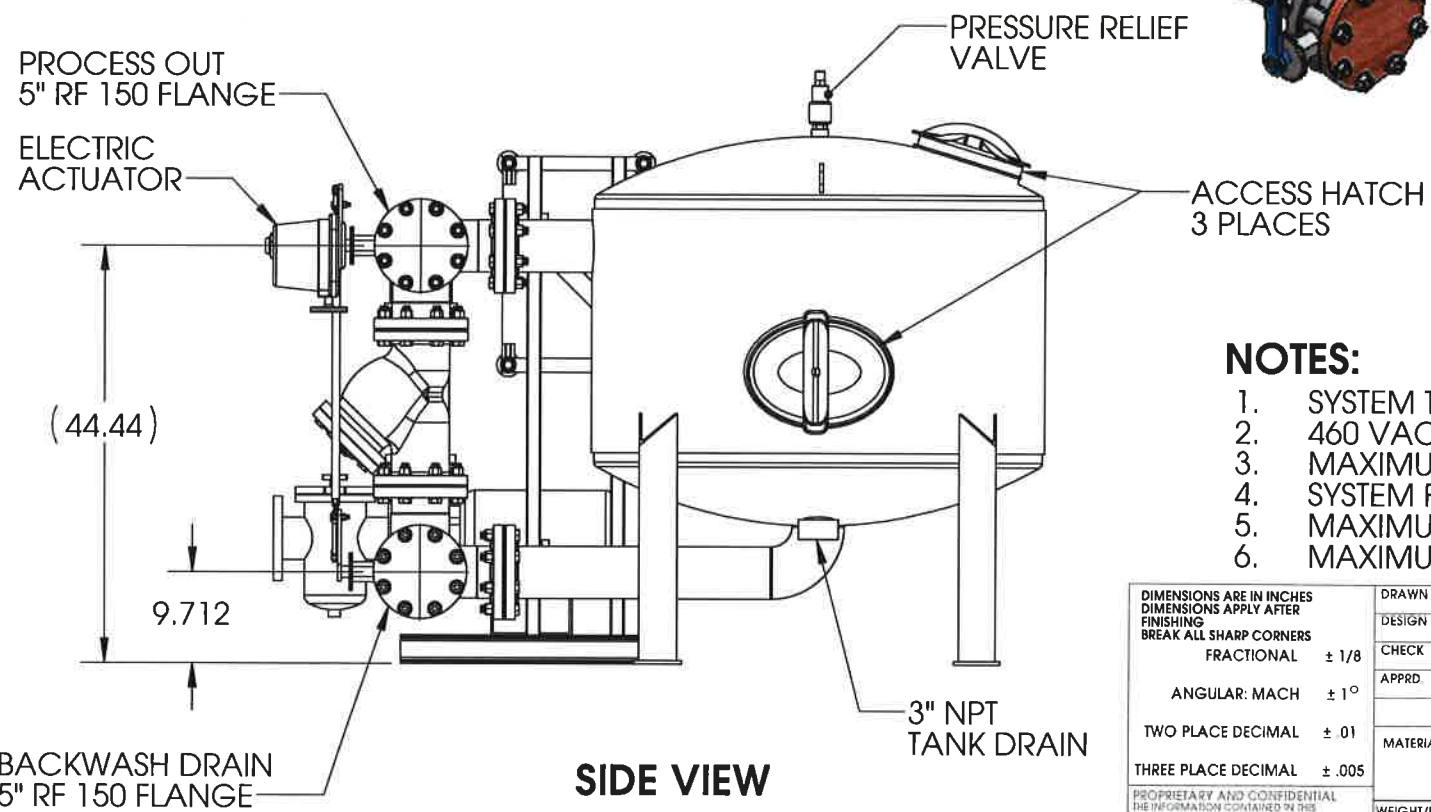
REVISION		DATE	BY	APPRD
REV.	DESCRIPTION			



PLAN VIEW



ELEVATION VIEW



SIDE VIEW

**NOTES:**

1. SYSTEM TOTAL ELECTRICAL REQUIREMENTS:
2. 460 VAC, 3 PH, 60 HZ, 25 AMPS
3. MAXIMUM VESSEL PRESSURE: 150 psi (10.3 bar)
4. SYSTEM FLOW: 825 GPM @ 40'
5. MAXIMUM SYSTEM TEMPERATURE: 100° F (38° C)
6. MAXIMUM PUMP INLET PRESSURE: 100 psi

DIMENSIONS ARE IN INCHES  
DIMENSIONS APPLY AFTER  
FINISHING  
BREAK ALL SHARP CORNERS  
FRACTIONAL ± 1/8  
ANGULAR: MACH ± 1°  
TWO PLACE DECIMAL ± .01  
THREE PLACE DECIMAL ± .005

DRAWN	JP	10/16/14
DESIGN	GH	
CHECK		
APPRD		
MATERIALS:		
WEIGHT/PC		
FINISH:		

<b>GRISWOLD WATER SYSTEM</b>		
1525 EAST SIXTH STREET, CORONA, CA 92879		
TITLE:		
<b>SF-48-CS-HH</b>		
SAND FILTER		
SIZE	DRAWING NO	REV
B	SF-48-CS-HH	1
SCALE: 1:24	WEIGHT:	SHEET OF