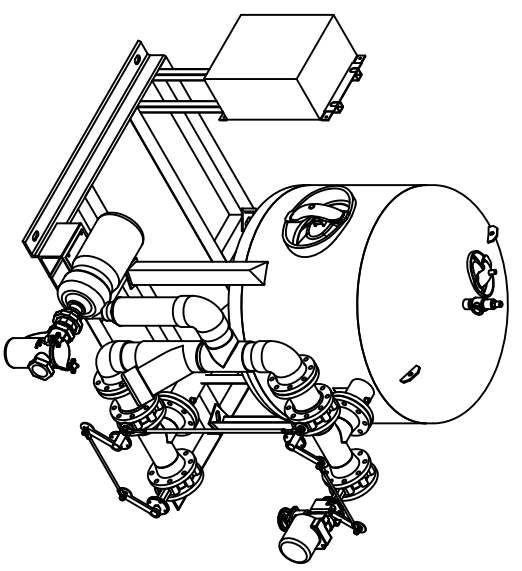
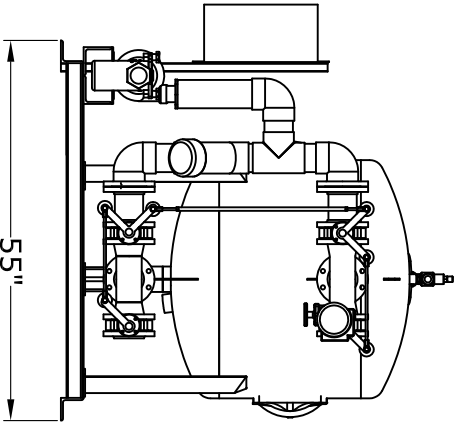
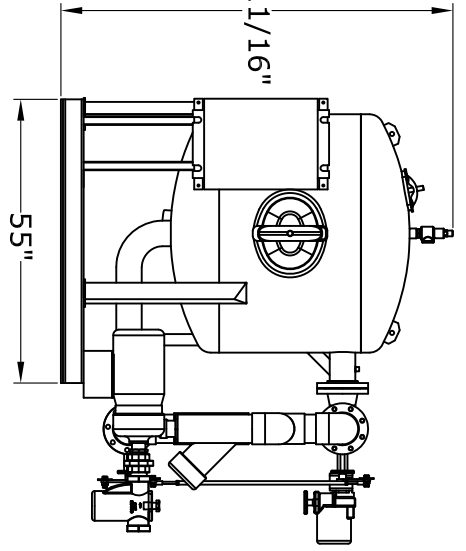
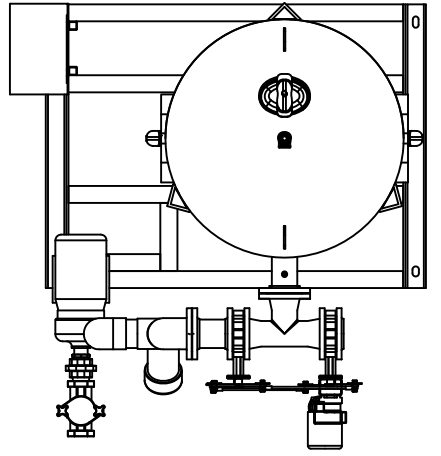


SHEET DRAWING NO.		1	REV.
REVISIONS			
REV.	ZONE	DESCRIPTION	DATE
APPR			



ITEM	QTY	PART NO.	DESCRIPTION	DIM"A"	DIM"B"	DIM"C"
UNLESS OTHERWISE SPECIFIED						
DIMENSIONS ARE IN INCHES.						
DIMENSIONS APPLY AFTER FINISHING.						
BREAK SHARP EDGES.						
TOLERANCES:						
3 PLACE DECIMALS ± .005						
2 PLACE DECIMALS ± .01						
FRACTIONS ± 1/8						
ANGLES ± 1°						
THIS DOCUMENT MAY CONTAIN PROPRIETARY OR DISCLOSED TO OTHERS OR USED FOR WITHOUT PRIOR WRITTEN PERMISSION.						
DRWN	D. HUFFMAN	DATE	05/26/09			
DESIGN						
CHECK						
APPRO						
MATERIAL				CARBON STEEL		
WEIGHT/Pc.						
FINISH						
SIZE				CODE IDENT. NO.		
SCALE				DRAWING NO. -		
				REV.		
				SHEET 1 OF 1		

GRISWOLD SEPARATORS
1525 EAST SIXTH STREET, CORONA, CA 91719

PLAN DRAWING
SFS-36

DRAWING NOT TO SCALE

NOTES: UNLESS OTHERWISE SPECIFIED

4

3

2

1

A