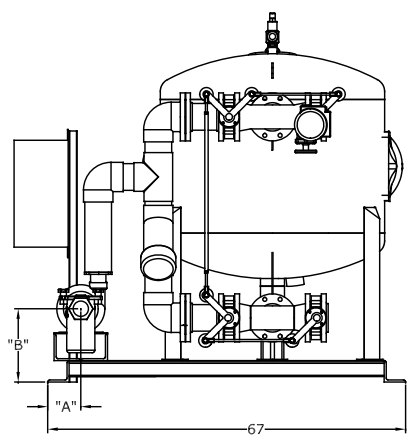
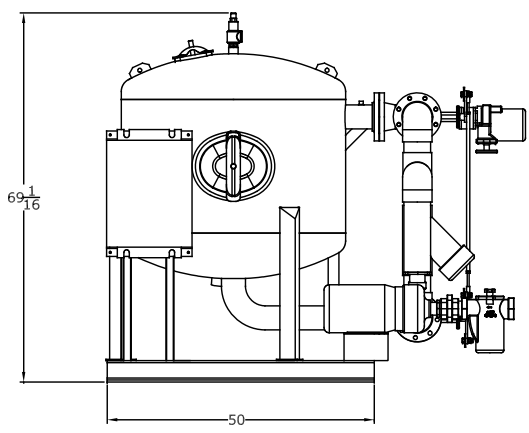
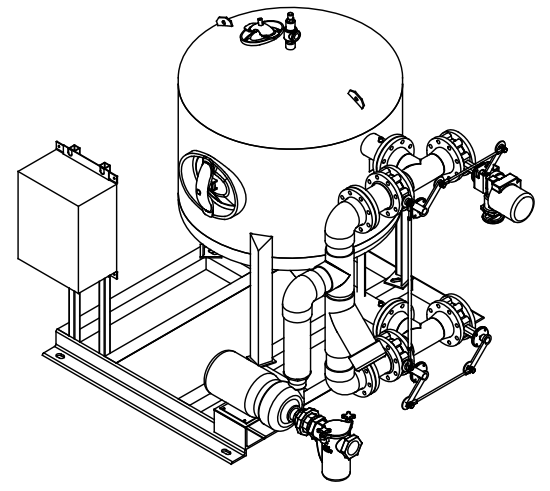
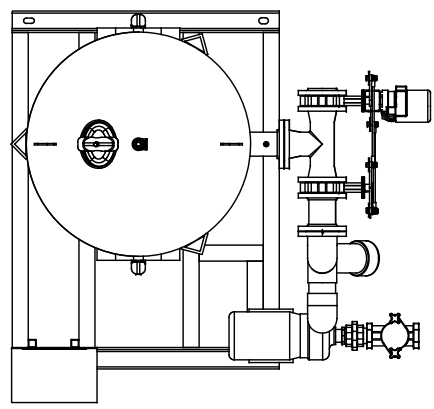


REVISIONS				
REV.	ZONE	DESCRIPTION	DATE	APPR.

PUMP MAKE	PUMP MODEL	DIM. "A"	DIM. "B"



NOTES: UNLESS OTHERWISE SPECIFIED

1	2	3	4	5	6	7	8
ITEM	PART NUMBER	QTY	DESCRIPTION			MATERIAL	
UNLESS OTHERWISE SPECIFIED							
DESIGN		D. HUFFMAN		DATE		08/29/07	
CHECK							
APPRO							
MATERIAL							
FINISH							
WEIGHT/PC.							
SCALE							
SIZE		B		CODE IDENT. NO.		DRAWING NO.	
REV.							
SHEET 1 OF 1							

GRISWOLD SEPARATORS
 1525 EAST SIXTH STREET, CORONA, CA 92879
ASSEMBLY
SFS/SFC-42CS