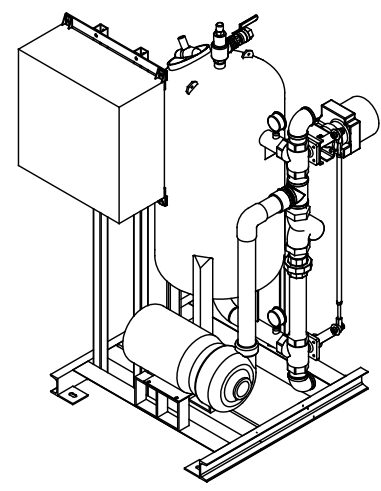
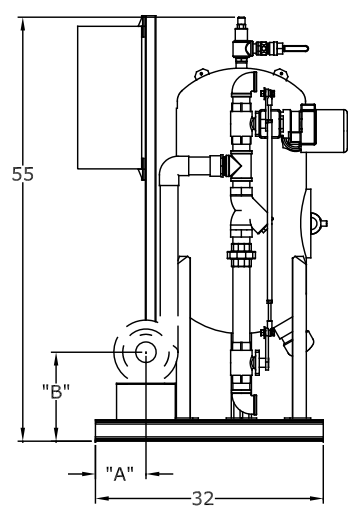
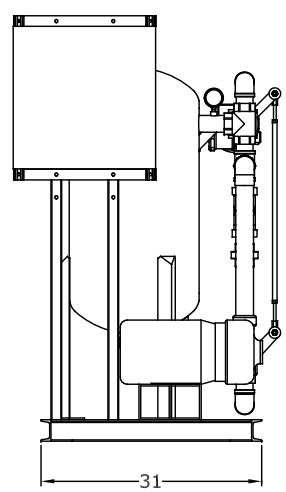
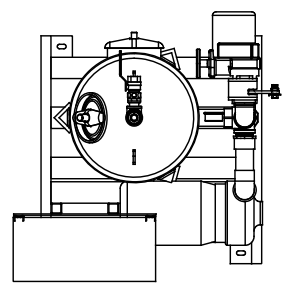


8 | 7 | 6 | 5 | 4 | 3 | 2

SHEET DRAWING NO. REV.

REVISIONS				
REV.	ZONE	DESCRIPTION	DATE	APPR.

PUMP MAKE	PUMP MODEL	DIM. "A"	DIM. "B"
		T B D	T B D



NOTES: UNLESS OTHERWISE SPECIFIED

NOTES: UNLESS OTHERWISE SPECIFIED

8 | 7 | 6 | 5 | 4 | 3 | 2 | 1

ITEM	PART NUMBER	QTY	DESCRIPTION	MATERIAL
BILL OF MATERIAL				
UNLESS OTHERWISE SPECIFIED		DESIGN	DATE	GRISWOLD SEPARATORS 1525 EAST SIXTH STREET, CORONA, CA 92879
DIMENSIONS ARE IN INCHES. DIMENSIONS APPLY AFTER FINISHING, BREAK SHARP EDGES.		CHECK	1/11/11	
TOLERANCES: 3 PLACE DECIMALS ± 2 PLACE DECIMALS ± FRACTIONS ± ANGLES ±		APPRO		
MATERIAL		WEIGHT/PC.		SIZE
FINISH		SCALE		CODE IDENT. NO.
				DRAWING NO.
				REV.
				SHEET 1 OF 1