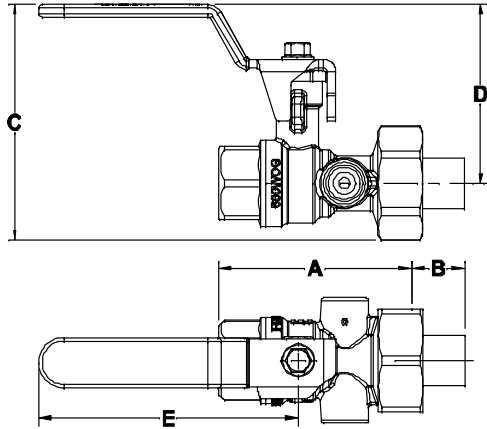


ISOLATOR™ "B"

1/2" - 2"



SPECIFICATIONS

- PSI/Temperature Rating:** 600 WOG (400PSI / 250°F)
- Body Material:** Forged Brass ASTM B283-06
- End Connections:** Brass – NPT, Sweat or ProPress¹
- Ball Valve Seals:** Teflon
- Union Seal:** EPDM O-ring
- Body Tappings²:** Two 1/4" bosses
- Ball Valve:** Nickel-plated brass ball, full port
Optional: Stainless steel ball
- Field Repairable Stem:** Dual Teflon seals and EPDM O-ring
- Assembly:** Valve comes fully assembled.
- Options:** Combination P/T Test Valve and Manual Air Vent (CPTA), Drain Valve, Insulation Option

DIMENSIONS & WEIGHTS (NOMINAL)

SIZE	A - FIXED END CONNECTION		B - UNION END CONNECTION ³						C	D	E	WEIGHT (LBS.)	
	FNPT	SWT	FNPT		MNPT		SWT						
1/2"	2.6	2.5	1/2":1.0	3/4":N/A ⁴	1/2":1.0	3/4":1.2	3/8",1/2":0.8	3/4":1.1	3.0	2.5	3.7	0.7	
3/4"	2.6	3.2	1/2",3/4":1.0	1":N/A ⁴	1/2"-3/4":1.0	1":1.4	3/8",3/4":1.0	1/2":0.7	1":1.3	3.8	2.6	3.7	1.0
3/4"L	3.0	3.1								4.0	2.9	5.0	1.5
1"	3.2	3.4	1",1-1/4",1-1/2":1.7	1",1-1/4",1-1/2":1.7 ⁵	1",1-1/4":1.7	1-1/2":1.4	1",1-1/4":1.7	1-1/2":1.7	4.3	3.1	5.0	3.5	
1-1/4"	3.9	4.1							4.5	3.5	5.5	4.5	
1-1/2"	4.4	4.6	1-1/4",1-1/2":1.6	2": N/A ⁴	1",1-1/4":1.8	1-1/2",2":1.6	1-1/4",2":1.6	1-1/2":1.7	5.3	4.0	5.5	6.9	
2"	5.1	5.5											

For ProPress connections add 3.1" (1/2"), 3.6" (3/4", 3/4"L), 4.1" (1") to the FNPT length (A) listed for a valve. These are for planning purpose only, contact factory for actual measurement at time of order.

NOTES

- ¹ ProPress is available on 1/2" to 1" valves only.
- ² Body Tappings for accessories are a leak proof metal to metal seal and do not require pipe dope or tape. Tape or dope should not be used.
- ³ For overall length, add union end connection length to body length.
- ⁴ Tailpiece is not available for this size. Male tailpiece used with coupling.
- ⁵ 1-1/4"-1-1/2" valves can also take 1/2"-3/4" MNPT tailpieces.

MAKING WATER WORK

2801 Barranca Parkway
Irvine, CA 92606 | 386.663.3370 | info@griswoldwatersystems.com

GriswoldWaterSystems.com

514T Full Port Gate Valve • Spec Sheet



FEATURES & BENEFITS

- ISO-9001
- 200 WOG - 125 SWP
- Full Port
- Cast Brass
- Non-rising Stem
- Threaded Bonnet
- Threaded Ends Conform to ANSI Standards B2.1
- Complies w/ NSF-61 for Low Lead
- Valves are Tested in Accordance w/ MSS-SP-82
- Sizes 1/4" - 4"

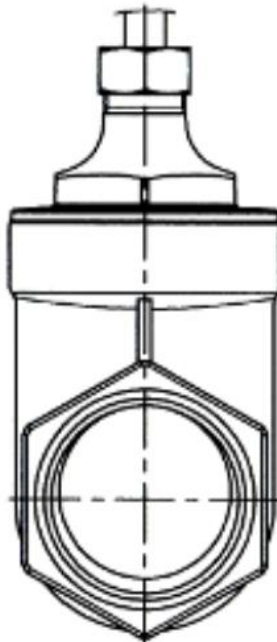
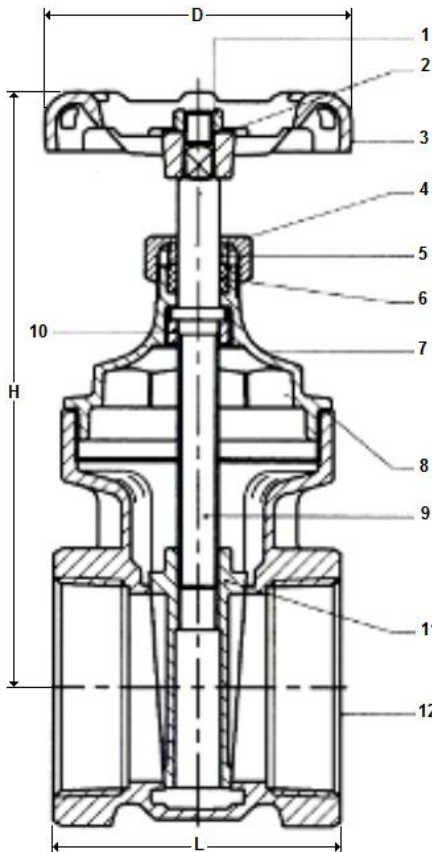
*Available with Brass Cross Handle or 5 Point Crown Wheel Handle

DIMENSIONS

Size	Part #	D	H	L
1/4"	514T01	2.09	2.92	1.71
3/8"	514T02	2.09	2.92	1.71
1/2"	514T03	2.09	2.92	1.71
3/4"	514T04	2.52	3.31	1.81
1"	514T05	2.48	3.90	2.13
1-1/4"	514T06	2.72	4.61	2.25
1-1/2"	514T07	3.15	5.08	2.44
2"	514T08	3.53	5.99	2.70
2-1/2"	514T09	3.98	7.88	3.70
3"	514T10	4.37	8.83	4.02
4"	514T11	5.00	9.89	4.53

APPLICATIONS:

Commercial & Light Industrial
Steam, Water, Oil or Gas



MATERIAL SPECIFICATIONS

No.	Part	Material	ASTM Spec
1	Wheel Nut	Hot Rolled	SAE 1010R
2	Name Plate	Aluminum	A1100
3	Handwheel	Cast Iron	JIS ZZ2202
4	Packing Nut	Brass	B16 C36000
5	Gland Ring	Brass	B16 C36000
6	Gland Packing	Graphite	LK 33 NAFG
7	Bonnet	Brass	B584 C85710
8	Packing	Fiber "H"	Non Asbestos
9	Stem	Brass 1/4" - 2"	B16 C36000
		Brass 2-1/2" - 2"	B584 C85710
10	Lock Nut	Brass	B16 C36000
11	Disc	Brass	B584 C85710
12	Body	Brass	B584 C85710



MATCO-NORCA

Global sourcing. National compliance. Local service.