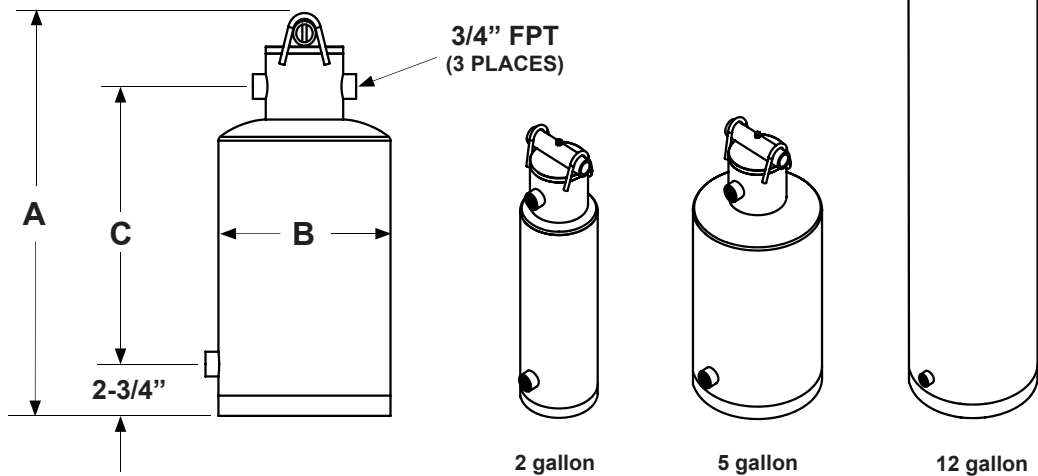


## CHEMICAL BYPASS FEEDER SPECIFICATION SHEET FB-SB SERIES

- Flat Bottom vessel for floor or pedestal mounting
- Safety bar closure
- Carbon steel vessel with external powder coat
- Three standard sizes: 2, 5 and 12 gallon
- Three 3/4" FPT connections
- Optional materials: 304 or 316 stainless steel
- Accessories:
  - Pedestal Mounting
  - Funnel Package 10" x 10" or Funnel only
  - Valve Package
  - Strainer Basket (stainless steel)
  - Bag Filters (25 micron for use with Strainer Basket)
  - Cartridge Filter Assembly
  - Cartridge Filters (25 micron; 100F, 170F or 250F)



**OPERATING LIMITS: 320 PSI @ 250°F**

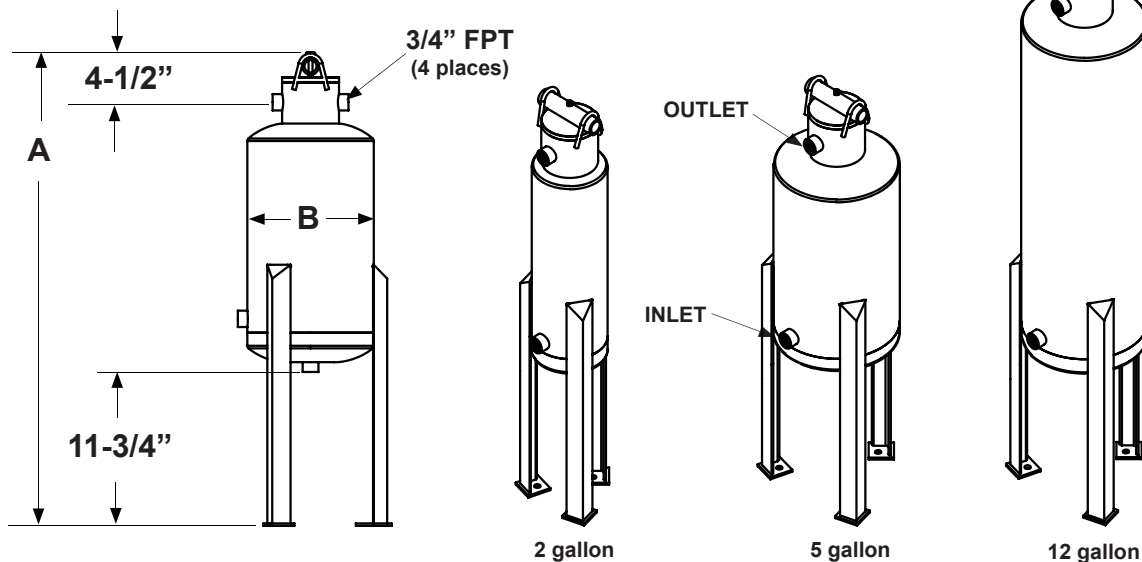
MODEL	CAPACITY gal (L)	ACCESS/ CONNECTIONS	DRY WEIGHT lbs (kg)	DIMENSIONS inches (cm)		
				"A"	"B"	"C"
FB-2-SB-CS-Z*	2 (7.8)	4" IPS FILLER 3/4" FPT PORTS	18 (8.2)	22-1/8 (56.2)	6 (15.2)	14-7/8 (37.8)
FB-5-SB-CS-Z*	5 (18.9)		28 (12.7)	21-1/2 (54.6)	10 (25.4)	14-1/4 (36.2)
FB-12-SB-CS-Z*	12 (45.4)		54 (24.5)	45-1/8 (114.6)	10 (25.4)	38 (96.5)

- CS ; Replace with -304 or -316 for stainless steel material options

GWS-1005 Rev L

## CHEMICAL BYPASS FEEDER SPECIFICATION SHEET DB-SB SERIES

- Domed Bottom vessel
- Heavy-duty leg mounting with bottom drain port
- Safety bar closure
- Carbon steel vessel with external powder coat
- Three standard sizes: 2, 5 and 12 gallon
- Four 3/4" FPT connections
- Optional materials: 304 or 316 stainless steel
- Accessories:
  - Funnel Package 10" x 10" or Funnel only
  - Valve Package
  - Strainer Basket (stainless steel)
  - Bag Filters (25 micron for use with Strainer Basket)
  - Cartridge Filter Assembly
  - Cartridge Filters (25 micron; 100F, 170F or 250F)



**OPERATING LIMITS: 320 PSI @ 250°F**

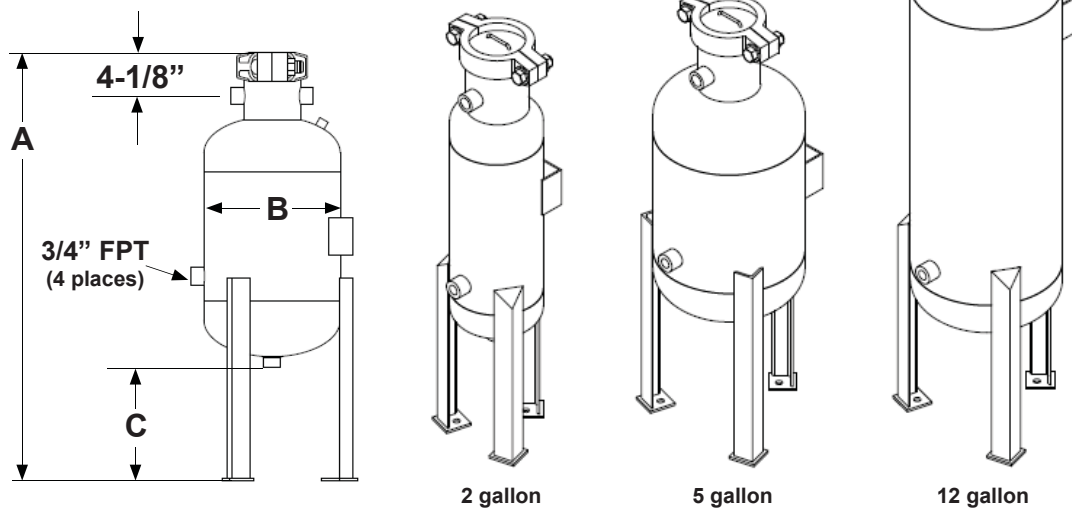
MODEL	CAPACITY gal (L)	ACCESS/ CONNECTIONS	DRY WEIGHT lbs (kg)	DIMENSIONS inches (cm)	
				"A"	"B"
DB-2-SB-CS-Z	2 (7.8)	4" IPS FILLER 3/4" FPT PORTS	26 (11.8)	36-1/8 (91.8)	6 (15.2)
DB-5-SB-CS-Z	5 (18.9)		39 (17.7)	36-1/2 (92.7)	10 (25.4)
DB-12-SB-CS-Z	12 (45.4)		72 (32.7)	58-1/4 (148.0)	10 (25.4)

- CS ; Replace with -304 or -316 for stainless steel material options

GWS-1005 Rev L

## CHEMICAL BYPASS FEEDER SPECIFICATION SHEET DB-GE SERIES

- Domed Bottom vessel
- Heavy-duty leg mounting with bottom drain port
- Groove End Cap Closure
- Carbon steel vessel with external powder coat
- Three standard sizes: 2, 5 and 12 gallon
- Four 3/4" FPT connections
- ASME Code Stamp Available
- Optional materials: 304 or 316 stainless steel
- Accessories:
  - Funnel Package 10" x 10" or Funnel only
  - Valve Package
  - Strainer Basket (stainless steel)
  - Bag Filters (25 micron for use with Strainer Basket)



**OPERATING LIMITS: 350 PSI (ASME Vessel 600 psi) @ 230°F (250°F with high temperature gasket)**

MODEL	CAPACITY gal (L)	ACCESS/ CONNECTIONS	DRY WEIGHT lbs (kg)	DIMENSIONS inches (cm)		
				"A"	"B"	"C"
DB-2-GE-CS-Z-*	2 (7.8)	4" IPS FILLER 3/4" FPT PORTS	60 (27.2)	34 (86.4)	6-3/4 (17.1)	8 (20.3)
DB-5-GE-CS-Z-*	5 (18.9)		105 (47.6)	34 (86.4)	10-3/4 (27.3)	9 (22.9)
DB-12-GE-CS-Z-*	12 (45.4)		120 (54.4)	51 (129.5)	10-3/4 (27.3)	7-7/8 (20.0)

- CS ; Replace with -304 or -316 for stainless steel material options
- Z ; Replace with -A for ASME Stamped Vessel
- \* ; Specify service temperature (230F or 250F)

GWS-1005 Rev L