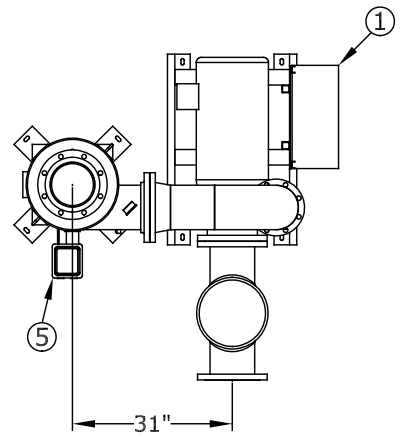


This drawing is for spatial consideration only. Do not pre-plumb to these dimensions.



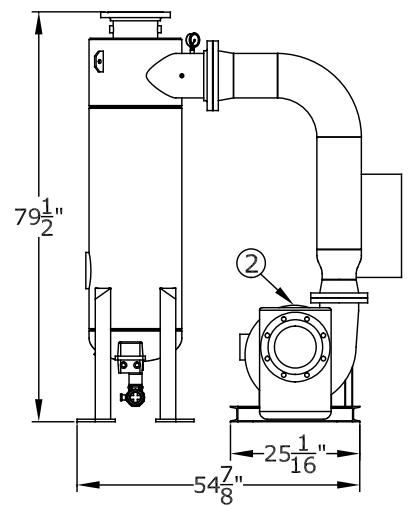
PLAN VIEW

NOTES

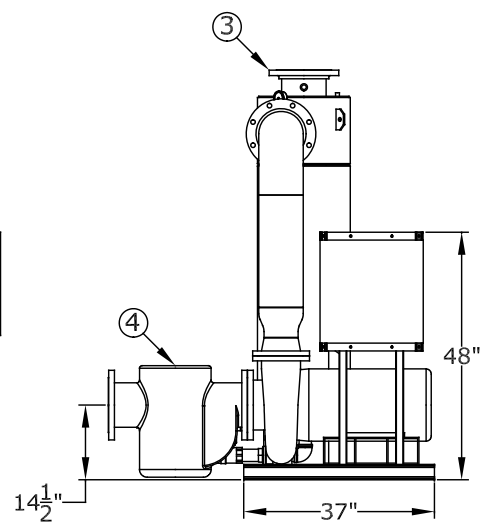
1. INLET IS 8" PIPE (CLASS 150 FLANGE)
2. OUTLET IS 8" PIPE (CLASS 150 FLANGE)
3. PURGE OUTLET IS 2"
4. MAXIMUM PRESSURE: 150 psi (10.3 bar)
5. SPECIFIED FLOWRATE OF 1700 gpm
6. MAXIMUM TEMPERATURE: 120°F (48.9°C)
7. FLOODED SUCTION REQUIRED
8. SEPARATOR SHIPPED LOOSE FOR FIELD ASSEMBLY
9. INLET/OUTLET VALVE KIT OPTIONAL

COMPONENT LIST

- ① ELECTRICAL CONTROL PANEL
- ② PUMP
- ③ SEPARATOR: CS-8T-FLG
- ④ BASKET STRAINER OPTIONAL-SHIPPED LOOSE
- ⑤ PURGE VALVE



ELEVATION VIEW



SIDE VIEW

THIS DOCUMENT MAY CONTAIN PROPRIETARY INFORMATION. IT MAY NOT BE REPRODUCED OR TRANSFERRED TO OTHERS OR USED FOR MANUFACTURING OR ANY OTHER PURPOSE WITHOUT PRIOR WRITTEN PERMISSION.		GRISWOLD WATER SYSTEMS 1597 INDUSTRIAL DRIVE, NEW SMYRNA BEACH, FL 32168				
		GLS-801 HH				
DRAWN	-	DATE: 3/7/11	MATERIAL:	DRAWING NO.	SIZE	REV.
APPRD	-	-	CARBON STEEL	-	A	-
		WEIGHT: 1850 lbs. (841 kg.)	SCALE	-	SHEET 1 OF 1	