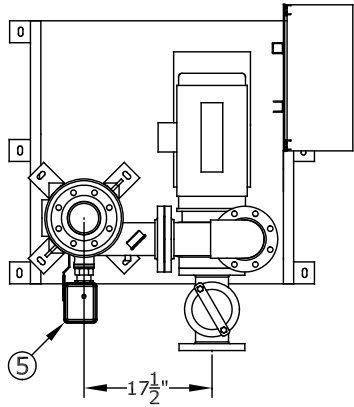


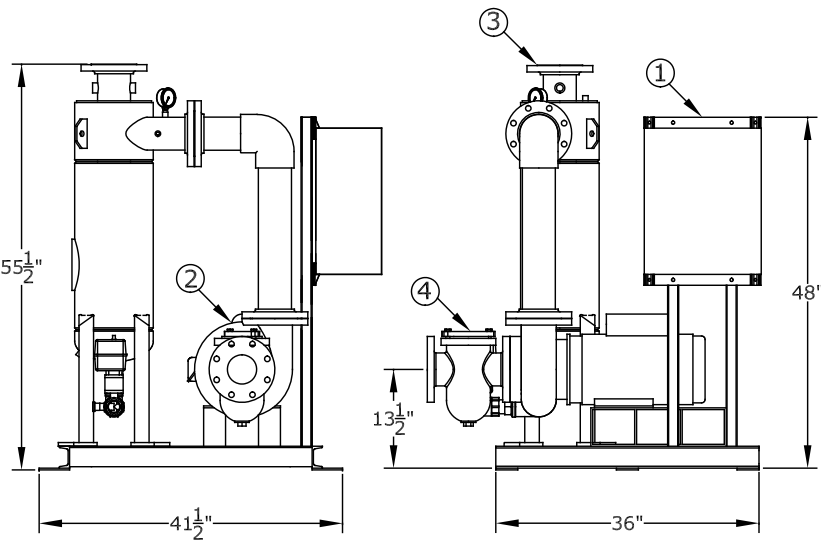
This drawing is for spatial consideration only. Do not pre-plumb to these dimensions.



PLAN VIEW

NOTES

1. INLET IS 4" PIPE (CLASS 150 FLANGE)
2. OUTLET IS 4" PIPE (CLASS 150 FLANGE)
3. PURGE OUTLET IS 1-1/2"
4. MAXIMUM PRESSURE: 150 psi (10.3 bar)
5. SPECIFIED FLOWRATE OF 420 gpm
6. MAXIMUM TEMPERATURE: 120°F (48.9°C)
7. FLOODED SUCTION REQUIRED
8. INLET/OUTLET VALVE KIT OPTIONAL



ELEVATION VIEW

SIDE VIEW

COMPONENT LIST

- ① ELECTRICAL CONTROL PANEL
- ② PUMP
- ③ SEPARATOR: CS-4T-FLG
- ④ BASKET STRAINER OPTIONAL-SHIPED LOOSE
- ⑤ PURGE VALVE

THIS DOCUMENT MAY CONTAIN PROPRIETARY INFORMATION. IT MAY NOT BE REPRODUCED OR TRANSFERRED TO OTHERS OR USED FOR MANUFACTURING OR ANY OTHER PURPOSE WITHOUT PRIOR WRITTEN PERMISSION.		GRISWOLD WATER SYSTEMS				
		1597 INDUSTRIAL DRIVE, NEW SMYRNA BEACH, FL 32168				
		GLS-401 HH				
DRAWN	-	DATE:3/7/11	MATERIAL:	DRAWING NO.	SIZE	REV.
APPRD	-	-	CARBON STEEL	-	A	-
		WEIGHT: 800 lbs. (364 kg.)	SCALE	-	SHEET 1 OF 1	