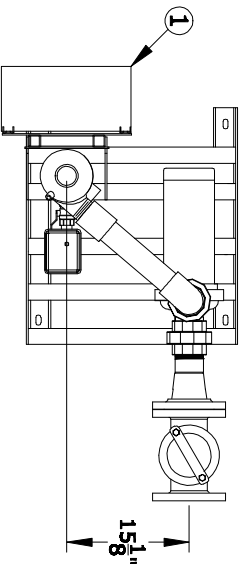
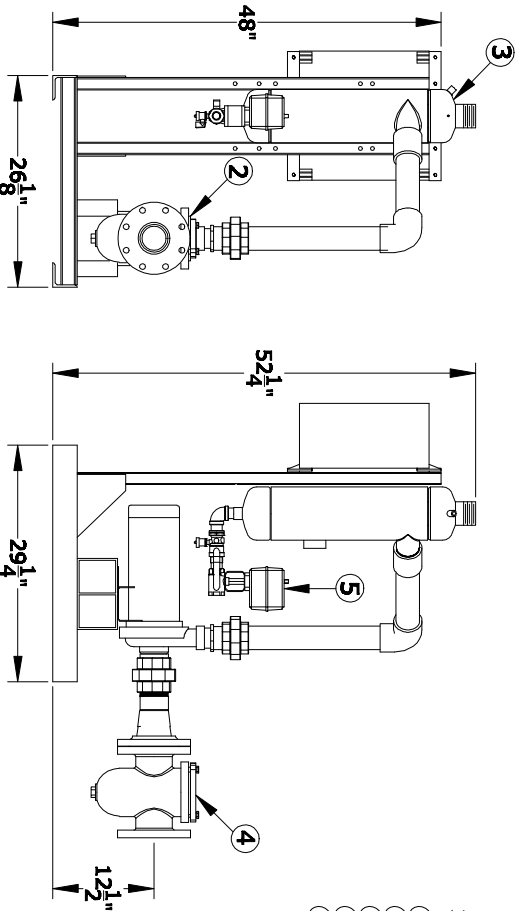


This drawing is for spatial consideration only. Do not pre-plumb to these dimensions.



PLAN VIEW

- NOTES**
1. INLET IS 3" PIPE (NPT THREAD)
 2. OUTLET IS 2-1/2" PIPE (NPT THREAD)
 3. PURGE OUTLET IS 1"
 4. MAXIMUM PRESSURE: 150 psi (10.3 bar)
 5. SPECIFIED FLOWRATE OF 160 gpm
 6. MAXIMUM TEMPERATURE: 120°F (48.9°C)
 7. FLOODED SUCTION REQUIRED
 8. INLET/OUTLET VALVE KIT OPTIONAL



ELEVATION VIEW

SIDE VIEW

- COMPONENT LIST**
1. ELECTRICAL CONTROL PANEL
 2. PUMP
 3. SEPARATOR: CS-2.5T-THD
 4. BASKET STRAINER OPTIONAL-SHIPED LOOSE
 5. PURGE VALVE

THIS DOCUMENT MAY CONTAIN PROPRIETARY INFORMATION. IT MAY NOT BE REPRODUCED OR TRANSMITTED TO OTHERS OR USED FOR MANUFACTURING OR ANY OTHER PURPOSE WITHOUT PRIOR WRITTEN PERMISSION.

GRISWOLD WATER SYSTEMS
1597 INDUSTRIAL DRIVE, NEW SMYRNA BEACH, FL 32168

GLS-250 HH

DRAWN: -	DATE: 3-7-11	MATERIAL: CARBON STEEL	DRAWING NO. -	SIZE: A
APP'D: -	-	WEIGHT: 470 lbs. (214 kg.)	SCALE: -	REV.: R
			SHEET 1 OF 1	