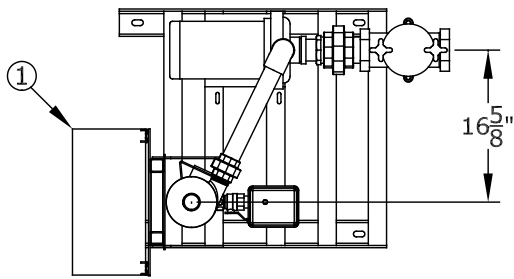


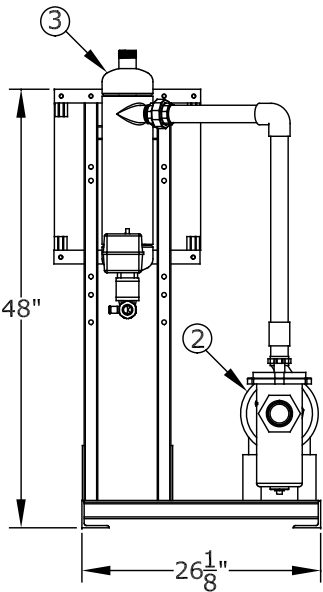
This drawing is for spatial consideration only. Do not pre-plumb to these dimensions.



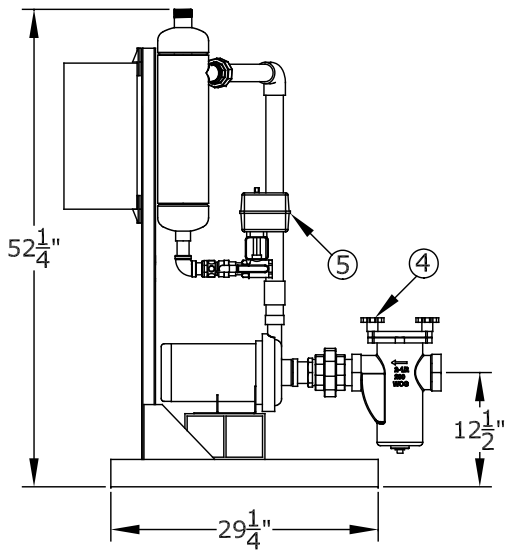
PLAN VIEW

NOTES

1. INLET IS 2" PIPE (NPT THREAD)
2. OUTLET IS 1-1/2" PIPE (NPT THREAD)
3. PURGE OUTLET IS 1"
4. MAXIMUM PRESSURE: 150 psi (10.3 bar)
5. SPECIFIED FLOWRATE OF 68 gpm
6. MAXIMUM TEMPERATURE: 120°F (48.9°C)
7. FLOODED SUCTION REQUIRED
8. INLET/OUTLET VALVE KIT OPTIONAL



ELEVATION VIEW



SIDE VIEW

COMPONENT LIST

- ① ELECTRICAL CONTROL PANEL
- ② PUMP
- ③ SEPARATOR: CS-1.5T-THD
- ④ BASKET STRAINER OPTIONAL-SHIPED LOOSE
- ⑤ PURGE VALVE

THIS DOCUMENT MAY CONTAIN PROPRIETARY INFORMATION. IT MAY NOT BE REPRODUCED OR TRANSFERRED TO OTHERS OR USED FOR MANUFACTURING OR ANY OTHER PURPOSE WITHOUT PRIOR WRITTEN PERMISSION.		GRISWOLD WATER SYSTEMS			
		1597 INDUSTRIAL DRIVE, NEW SMYRNA BEACH, FL 32168			
		GLS-151 HH			
DRAWN	-	DATE: 3-7-11	-	MATERIAL:	CARBON STEEL
APPRD	-		-	DRAWING NO.	-
		WEIGHT: 380 lbs. (173 kg.)		SCALE	-
				SIZE	A
				REV.	-
				SHEET 1 OF 1	