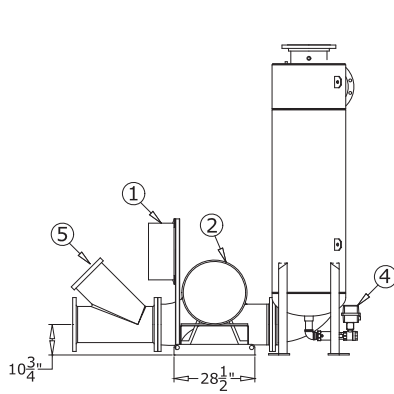
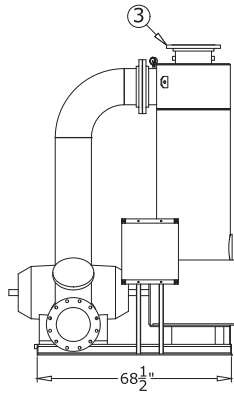


PLAN VIEW



ELEVATION VIEW



SIDE VIEW

This drawing is for spatial consideration only. Do not pre-plumb to these dimensions.

NOTES

1. INLET IS 12" PIPE (CLASS 150 FLANGE)
2. OUTLET IS 12" PIPE (CLASS 150 FLANGE)
3. PURGE OUTLET IS 2"
4. POWER REQUIREMENT: 460V, 60Hz, 3PH
5. MAXIMUM PRESSURE: 150 psi (10.3 bar)
6. SPECIFIED FLOWRATE OF 3700 gpm
7. MAXIMUM TEMPERATURE: 120°F (48.9°C)
8. FLOODED SUCTION REQUIRED
9. APPROXIMATE DRY WEIGHT: 5500 lbs (2500 kg)
10. FINISH: AS ASSEMBLED
11. INLET/OUTLET VALVE KIT OPTIONAL

COMPONENT LIST

- ① ELECTRICAL CONTROL NEMA 4 BOX 460V 60Hz W/120V TRANSFORMER
- ② PUMP: 100HP CENTRIFUGAL, 1750 rpm, 460V, 60Hz
- ③ SEPARATOR: CS-12T-FLG
- ④ PURGE EQUIPEMNT
- ⑤ "Y" STRAINER OPTIONAL

THIS DOCUMENT MAY CONTAIN PROPRIETARY INFORMATION. IT MAY NOT BE REPRODUCED OR TRANSFERRED TO OTHERS OR USED FOR MANUFACTURING OR ANY OTHER PURPOSE WITHOUT PRIOR WRITTEN PERMISSION.		GRISWOLD WATER SYSTEMS 1597 INDUSTRIAL DRIVE, NEW SMYRNA BEACH, FL 32168			
		GLS-1201-HH			
DRAWN	DATE	MATERIAL	DRAWING NO.	SIZE	REV.
APPRD		CARBON STEEL	-	A	-
		WEIGHT: 5500 lbs. (2500 kg)	SCALE	-	SHEET 1 OF 1