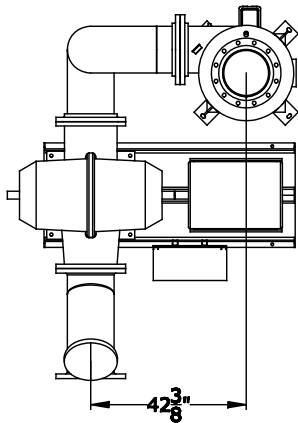


This drawing is for spatial consideration only. Do not pre-plumb to these dimensions.



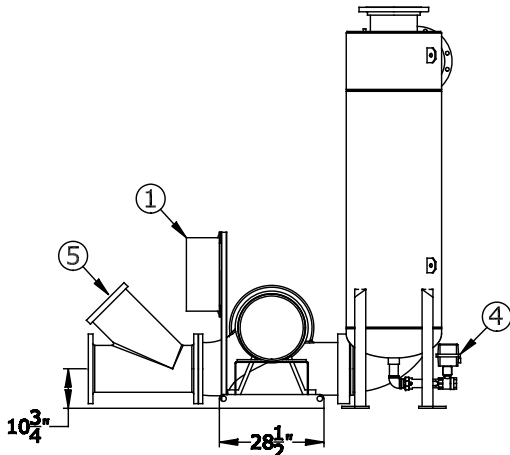
PLAN VIEW

NOTES

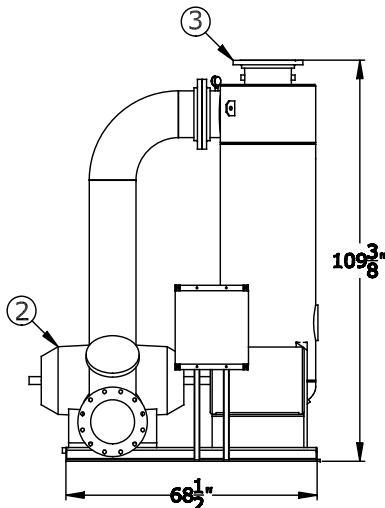
1. INLET IS 12" PIPE (CLASS 150 FLANGE)
2. OUTLET IS 12" PIPE (CLASS 150 FLANGE)
3. PURGE OUTLET IS 2"
4. POWER REQUIREMENT: 460V, 60Hz, 3PH
5. MAXIMUM PRESSURE: 150 psi (10.3 bar)
6. SPECIFIED FLOWRATE OF 2900 gpm
7. MAXIMUM TEMPERATURE: 120°F (48.9°C)
8. FLOODED SUCTION REQUIRED
9. APPROXIMATE DRY WEIGHT: 5500 lbs (2500 kg)
10. FINISH: AS ASSEMBLED
11. INLET/OUTLET VALVE KIT OPTIONAL

COMPONENT LIST

- ① ELECTRICAL CONTROL NEMA 4 BOX 460V 60Hz W/120V TRANSFORMER
- ② PUMP: 40HP CENTRIFUGAL, 1150 rpm, 460V, 60Hz
- ③ SEPARATOR: CS-12T-FLG
- ④ PURGE EQUIPMENT
- ⑤ "Y" STRAINER OPTIONAL



ELEVATION VIEW



SIDE VIEW

THIS DOCUMENT MAY CONTAIN PROPRIETARY INFORMATION. IT MAY NOT BE REPRODUCED OR TRANSFERRED TO OTHERS OR USED FOR MANUFACTURING OR ANY OTHER PURPOSE WITHOUT PRIOR WRITTEN PERMISSION.		GRISWOLD WATER SYSTEMS 1597 INDUSTRIAL DRIVE, NEW SMYRNA BEACH, FL 32168									
		GLS-1200-HH									
DRAWN	-	DATE	-	MATERIAL:	CARBON STEEL	DRAWING NO.	-	SIZE	A	REV.	-
APPRD	-	-	-	WEIGHT: 5500 lbs. (2500 kg.)	SCALE	-	-	SHEET	1	OF	1