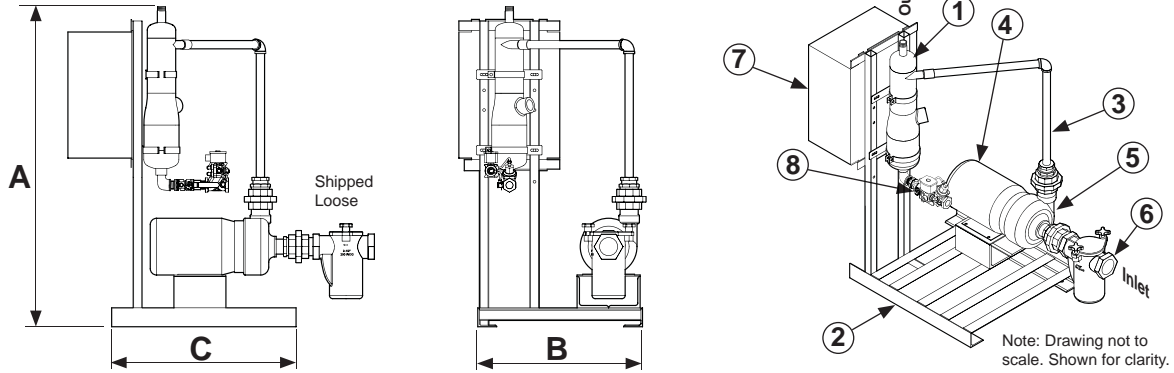


MODEL GLS-101 HH



SYSTEM MODEL		GLS-101-HH
	Design Flow Rate, GPM	32@40 TDH
Item 1	Separator Model	CS-1T-THD Carbon Steel, Powder Coated
Item 2	Frame Construction	Carbon Steel, Powder Coated
Item 3	Pipe Assembly	Carbon Steel, Rust Inhibitor Primer with Enamel Finish
MOTOR 460 VAC TEFC		
Item 4	Horsepower	1
	Approximate Amps @ 460V	2.1amps
	RPM	3500
PUMP		
Item 5	Pump Casing	Cast Iron
	Pump Impeller	Cast Iron
	Std.Mechanical Seal	Buna/Carbon/Ceramic
BASKET STRAINER (Optional)		
Item 6	Body Construction	Cast Iron
	Internal Screen	1/4" Perforated 304 Stainless Steel
	Connection Type	Female NPT Thread
CONTROL PANEL (UL listed and labeled, manufactured to UL-508A Std.)		
Item 7	Enclosure	NEMA 4 Powder Coated, Watertight, UL listed and CSA approved
	Electrical Components	Starter with Thermal Overload, HOA, 460/120 Transformer with Circuit Breakers, Pump "RUN" Light, Lockable Door Disconnect, Magnetic Contactor, Purge Timer, Manufactured with all UL listed & CSA approved electrical components.
PURGE VALVE (Requires Power to Open and Power to Close. Must Close Manually if Open During a Power Outage)		
Item 8	Actuator, Motorized	120 VAC 60Hz
	Connection Type	1" Female NPT, Ball Valve
SPECIFICATIONS		
	Dim "A"	51-3/4"
	Dim "B"	26-1/8"
	Dim "C"	29-1/4"
	Max. Inlet P.S.I.	100
	Max. Operating P.S.I.	150
	Max. Operating Temp.	100°F
	Inlet	2" NPT
	Outlet	1" NPT
	Shipping Weight	330 Lbs

Note: Dimensions are approximate and are for reference only. Dimensions subject to change without notice. Weights are approximate.