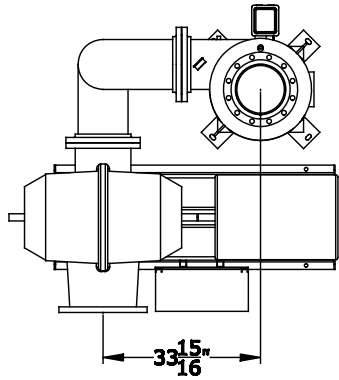
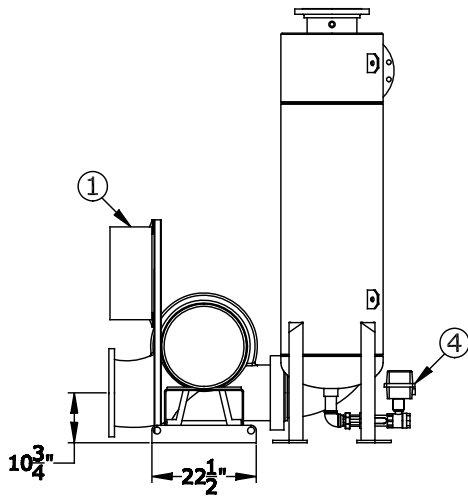


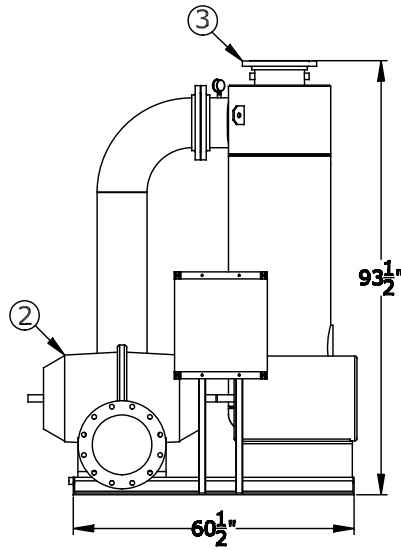
This drawing is for spatial consideration only. Do not pre-plumb to these dimensions.



PLAN VIEW



ELEVATION VIEW



SIDE VIEW

NOTES

1. INLET IS 12" PIPE (CLASS 150 FLANGE)
2. OUTLET IS 10" PIPE (CLASS 150 FLANGE)
3. PURGE OUTLET IS 2"
4. POWER REQUIREMENT: 460V, 60Hz, 3PH
5. MAXIMUM PRESSURE: 150 psi (10.3 bar)
6. SPECIFIED FLOWRATE OF 2700 gpm
7. MAXIMUM TEMPERATURE: 120°F (48.9°C)
8. FLOODED SUCTION REQUIRED
9. APPROXIMATE DRY WEIGHT: 4200 lbs (1909 kg)
10. FINISH: AS ASSEMBLED
11. INLET/OUTLET VALVE KIT OPTIONAL

COMPONENT LIST

- ① ELECTRICAL CONTROL NEMA 4 BOX 460V 60Hz W/120V TRANSFORMER
- ② PUMP: 40HP CENTRIFUGAL, 1150 rpm, 460V, 60Hz
- ③ SEPARATOR: CS-10T-FLG
- ④ PURGE EQUIPMENT

THIS DOCUMENT MAY CONTAIN PROPRIETARY INFORMATION. IT MAY NOT BE REPRODUCED OR TRANSFERRED TO OTHERS OR USED FOR MANUFACTURING OR ANY OTHER PURPOSE WITHOUT PRIOR WRITTEN PERMISSION.		GRISWOLD WATER SYSTEMS 1597 INDUSTRIAL DRIVE, NEW SMYRNA BEACH, FL 32168			
		GLS-1001-HH			
DRAWN	-	DATE	-	MATERIAL:	CARBON STEEL
APPRD	-			DRAWING NO.	-
				SCALE	-
				SIZE	A
				REV.	-
				WEIGHT: 4200 lbs. (1909 kg)	
				SHEET 1 OF 1	