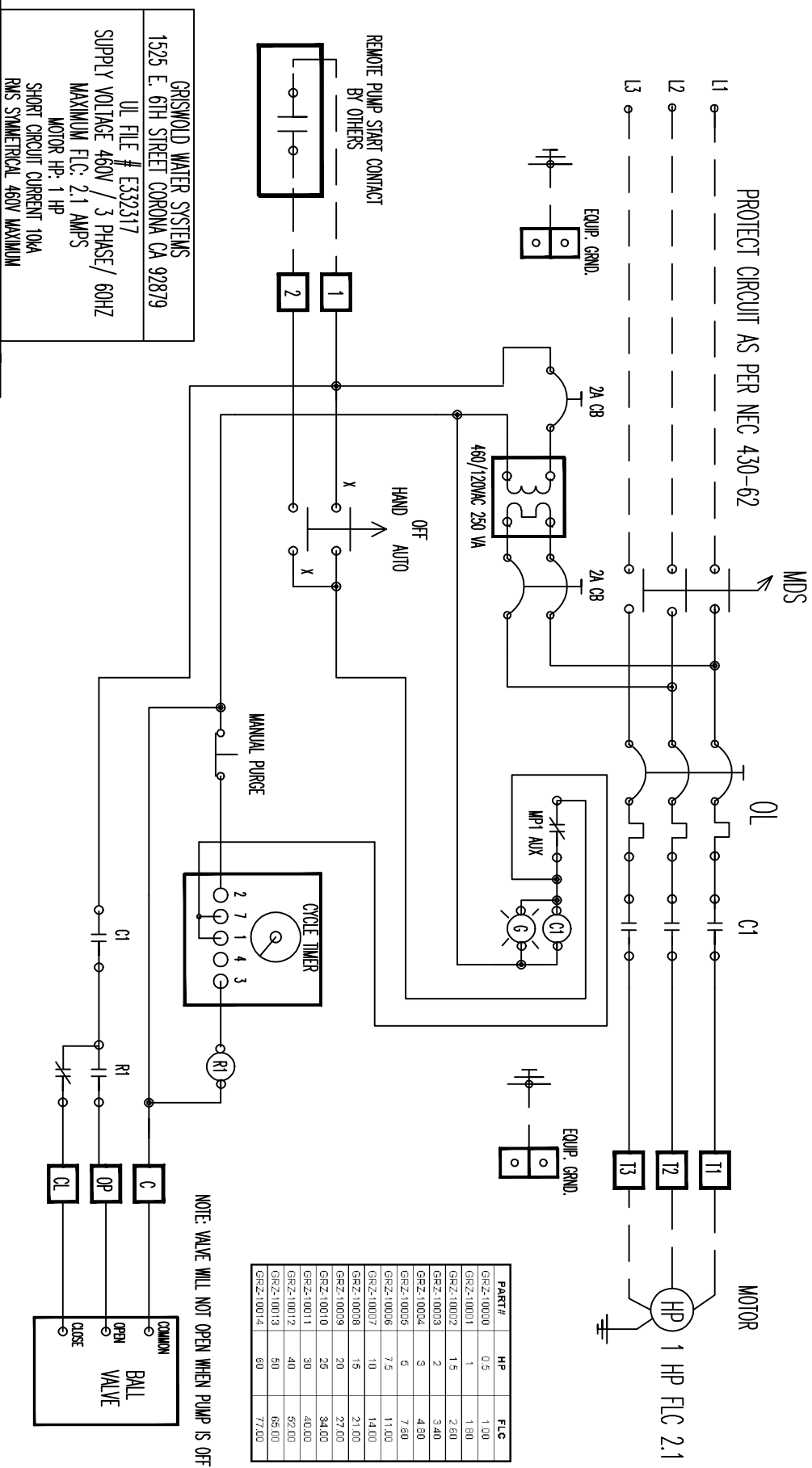


SUPPLY VOLTAGE: 460V/3PH/60HZ

BRANCH CIRCUIT PROTECTION PROVIDED BY INSTALLER AND MUST MEET UL 489 OR UL 248. SEE FLA ON UL ID STICKER AS REQUIRED BY GWS AND UL 508A.



PART #	HP	FLC
GRZ-10000	0.5	1.00
GRZ-10001	1	1.80
GRZ-10002	1.5	2.60
GRZ-10003	2	3.40
GRZ-10004	3	4.80
GRZ-10005	5	7.60
GRZ-10006	7.5	11.00
GRZ-10007	10	14.00
GRZ-10008	15	21.00
GRZ-10009	20	27.00
GRZ-10010	25	34.00
GRZ-10011	30	40.00
GRZ-10012	40	52.00
GRZ-10013	50	65.00
GRZ-10014	60	77.00

NOTE: VALVE WILL NOT OPEN WHEN PUMP IS OFF

GRISWOLD WATER SYSTEMS
 1525 E. 6TH STREET CORONA CA 92879
 UL FILE # E332317
 SUPPLY VOLTAGE 460V / 3 PHASE / 60HZ
 MAXIMUM FLC: 2.1 AMPS
 MOTOR HP: 1 HP
 SHORT CIRCUIT CURRENT 10KA
 RMS SYMMETRICAL 460V MAXIMUM

Notes:
 All moving parts to be fully guarded.
 Field terminal tightening torque 7 lb/ft. Unless specified.
 All field wiring 14 AWG copper minimum, 90°C-CUL RATED W/.
 Use copper conductors only for terminals.
 Intended for connection only for copper wire.
 Broken lines indicate field wiring.
 Protect circuit as per NEC requirements.
 Main service disconnect switch is motor rated only.
 upstream circuit protection and panel disconnecting
 means required. NEMA 4 CENST. ENV/R TYPE 1.

GRISWOLD WATER SYSTEMS
 UL FILE: E332317

Revisions:

GWS

Job Name: GRZ1001
 Title: PUMP CONTROL W/PURGE BALL VALVE
 Engineer:

Date: 06-30-2015
 Drawn by: GWS TB
 Checked by: GWS TB
 Drawing #: G9592-028