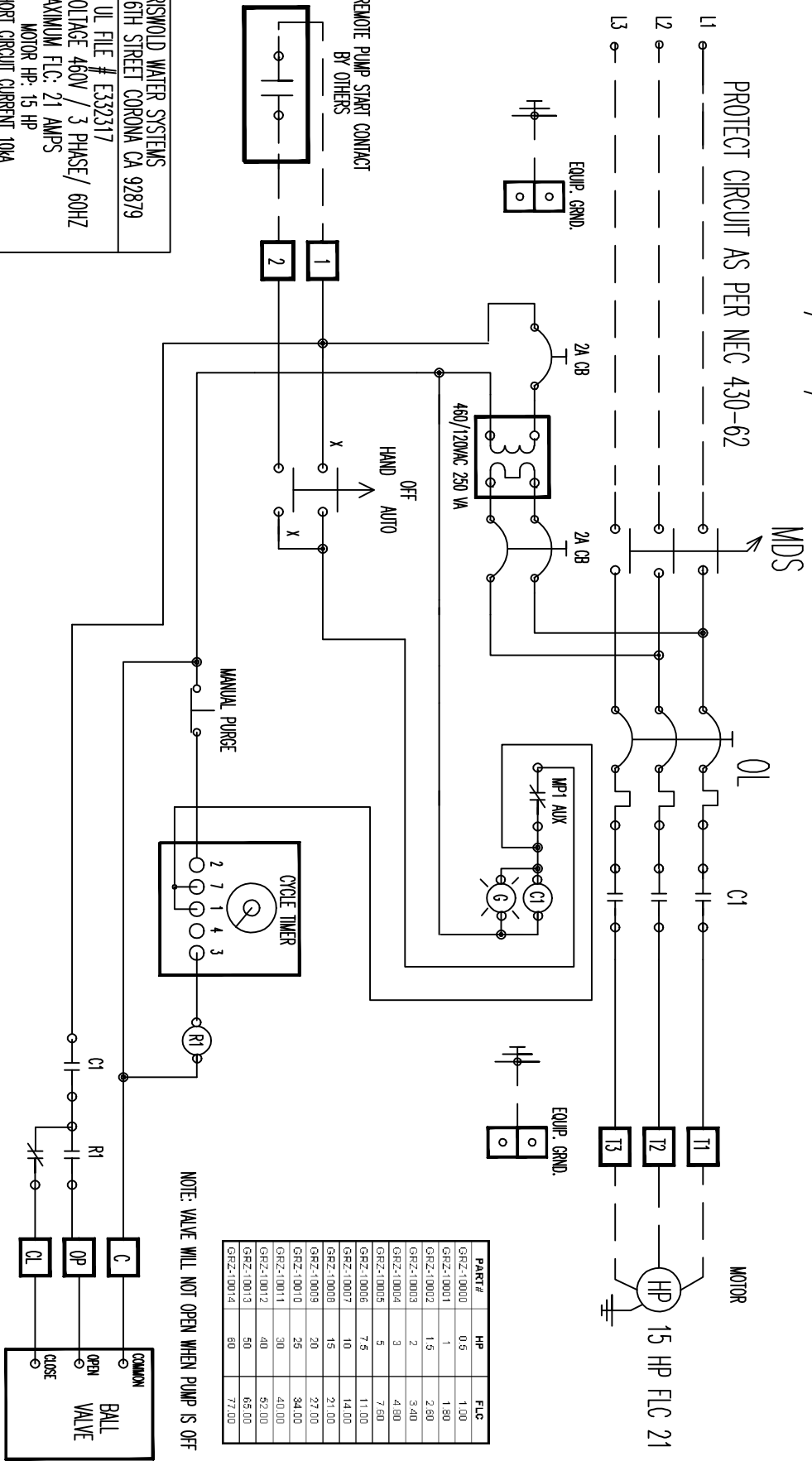


SUPPLY VOLTAGE: 460V/3PH/60HZ

BRANCH CIRCUIT PROTECTION PROVIDED BY INSTALLER AND MUST MEET UL 489 OR UL 248. SEE FLA ON UL ID STICKER AS REQUIRED BY GMS AND UL 508A.



PART#	HP	FLC
GRZ-10000	0.5	1.00
GRZ-10001	1	1.80
GRZ-10002	1.5	2.80
GRZ-10003	2	3.40
GRZ-10004	3	4.80
GRZ-10005	5	7.60
GRZ-10006	7.5	11.00
GRZ-10007	10	14.00
GRZ-10008	15	21.00
GRZ-10009	20	27.00
GRZ-10010	25	34.00
GRZ-10011	30	40.00
GRZ-10012	40	52.00
GRZ-10013	50	65.00
GRZ-10014	60	77.00

NOTE: VALVE WILL NOT OPEN WHEN PUMP IS OFF

GRISWOLD WATER SYSTEMS
1525 E. 6TH STREET CORONA CA 92879
UL FILE # E332317
SUPPLY VOLTAGE 460V / 3 PHASE/ 60HZ
MAXIMUM FLC: 21 AMPS
MOTOR HP: 15 HP
SHORT CIRCUIT CURRENT 10KA
RMS SYMMETRICAL 460V MAXIMUM

Notes:
All moving parts to be fully guarded.
All field terminal tightening torque 9 lb/ins.
All field wiring 14 AWG copper minimum, 90° C. CUL RATED WIRE.
Use copper conductors only for terminals.
Intended for connection only to copper wire.
Broken lines indicate field wiring.
Protect circuit as per NEC requirements.
Main service disconnect switch is motor rated only.
Upstream circuit protection and panel disconnecting means required. NEMA 4 CONDST. ENV/R TYPE 1.

GRISWOLD WATER SYSTEMS
UL FILE: E332317

Revisions:	Job Name: GRZ10008	Date: 02-02-10
B ADD HVA FORCE UPDATE	Title: PUMP CONTROL W/PURGE BALL VALVE	Drawn By: TB
08-30-2011 TB	Engineer:	Checked By: 09597-380