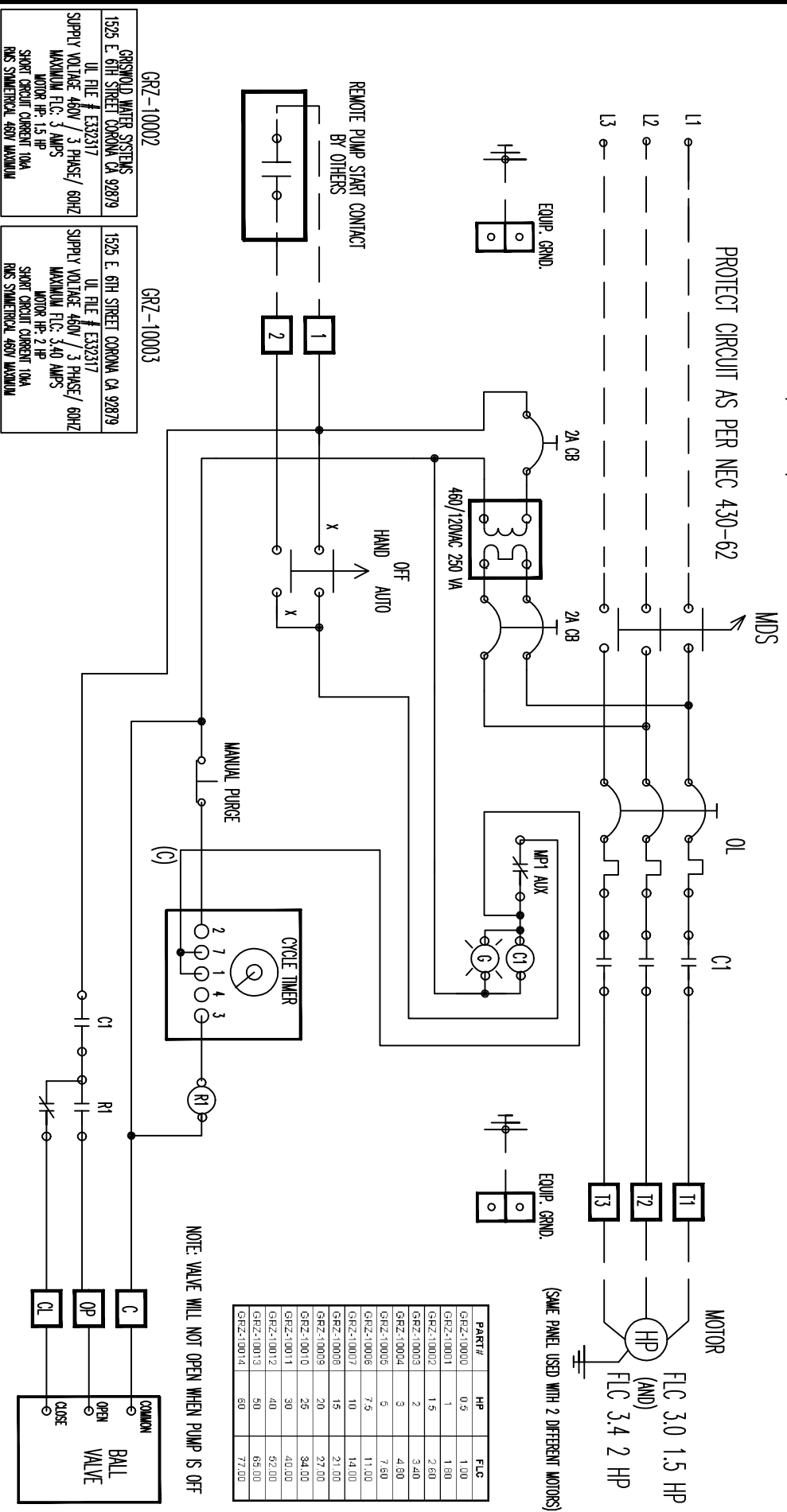


SUPPLY VOLTAGE: 460V/3PH/60HZ

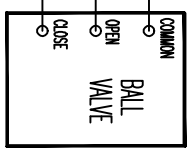
BRANCH CIRCUIT PROTECTION PROVIDED BY INSTALLER AND MUST MEET UL 489 OR UL 248. SEE FLA ON UL ID STICKER AS REQUIRED BY GMS AND UL 508A.



(SAME PANEL USED WITH 2 DIFFERENT MOTORS)

PART#	HP	FLC
GRZ-10000	0.5	1.00
GRZ-10001	1	1.80
GRZ-10002	1.5	2.60
GRZ-10003	2	3.40
GRZ-10004	3	4.80
GRZ-10005	5	7.60
GRZ-10006	7.5	11.00
GRZ-10007	10	14.00
GRZ-10008	15	21.00
GRZ-10009	20	27.00
GRZ-10010	25	34.00
GRZ-10011	30	40.00
GRZ-10012	40	52.00
GRZ-10013	50	65.00
GRZ-10014	60	77.00

NOTE: VALVE WILL NOT OPEN WHEN PUMP IS OFF



GRISWOLD WATER SYSTEMS
 1525 E. 6TH STREET CORONA CA 92879
 UL FILE # E332317
 SUPPLY VOLTAGE 460V / 3 PHASE/ 60HZ
 MAXIMUM FLC: 3.40 AMPS
 MOTOR HP: 2 HP
 SHORT CIRCUIT CURRENT 100A
 RMS SYMMETRICAL 480V MAXIMUM

GRISWOLD WATER SYSTEMS
 1525 E. 6TH STREET CORONA CA 92879
 UL FILE # E332317
 SUPPLY VOLTAGE 460V / 3 PHASE/ 60HZ
 MAXIMUM FLC: 3.40 AMPS
 MOTOR HP: 2 HP
 SHORT CIRCUIT CURRENT 100A
 RMS SYMMETRICAL 480V MAXIMUM

GRZ-10002

GRZ-10003

Notes:
 All moving parts to be fully guarded.
 Field terminal tightening torque 7 lb/ins. Unless specified.
 All field wiring 14 AWG copper minimum. 90°C CUL RATED WIRE.
 Use copper conductors only for terminals.
 Intended for connection only to copper wire.
 Broken lines indicate field wiring.
 Protect circuit as per NEC requirements.
 Main service disconnect switch is motor rated only.
 upstream circuit protection and panel disconnecting
 means required. NEMA 4 CONDS1. ENV/R TYPE 1.

GRISWOLD WATER SYSTEMS
 CUL LISTED: E332317

Revisions:

Rev	By	Desc
1	B	Add Usage for GRZ-10002/3
2	C	Add HOA PURGE
3	C	Add HOA PURGE

Job Name: GRZ10002 AND GRZ-10003
 Title: PUMP CONTROL W/PURGE BALL VALVE
 Engineer:

Issue 4-12-2011
 Date: 1B
 Drawing #: 09592-364