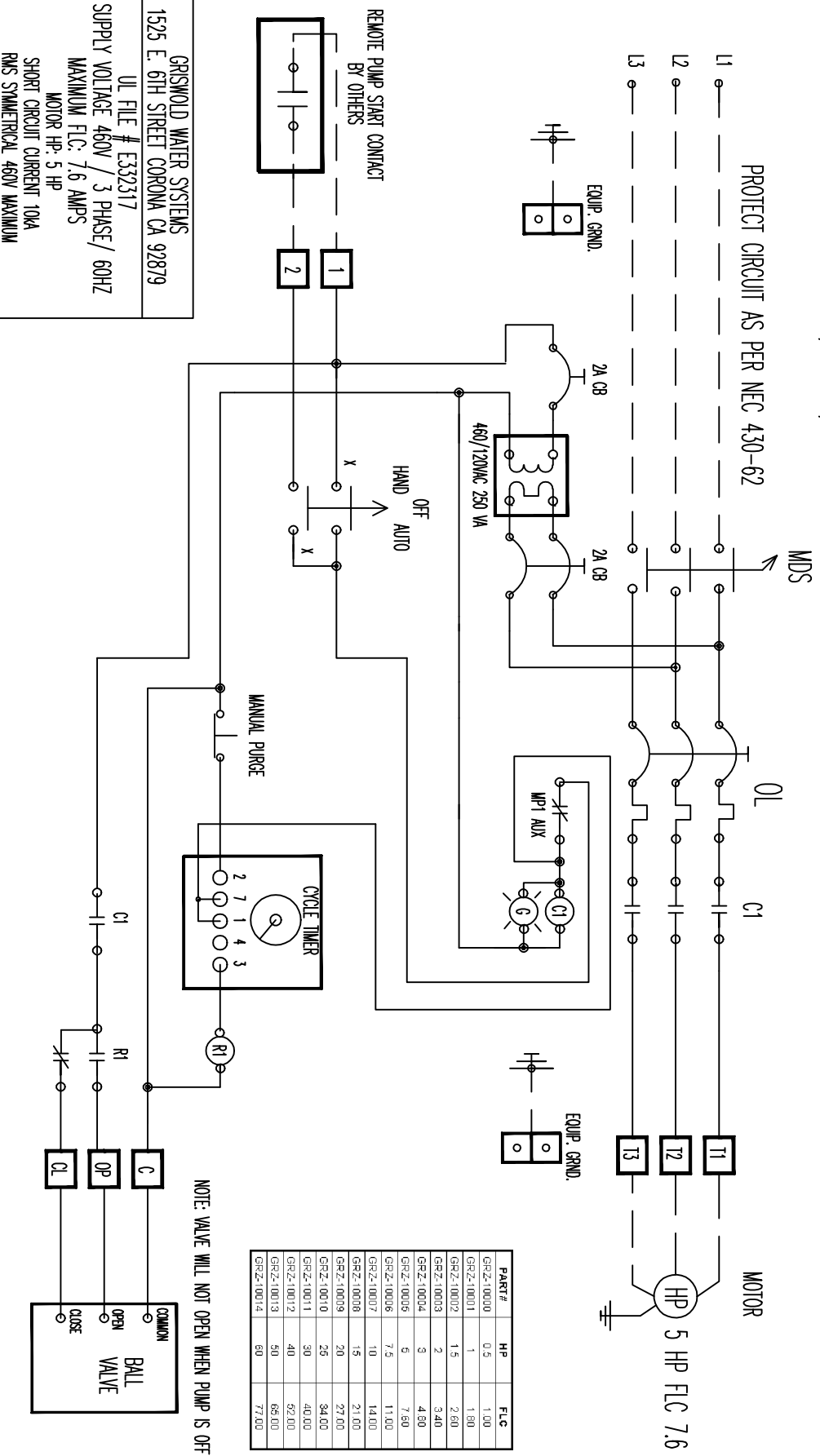


SUPPLY VOLTAGE: 460V/3PH/60HZ

BRANCH CIRCUIT PROTECTION PROVIDED BY INSTALLER AND MUST MEET UL 489 OR UL 248. SEE FLA ON UL ID STICKER AS REQUIRED BY GMS AND UL 508A.



PART#	HP	FLC
GRZ-10000	0.5	1.00
GRZ-10001	1	1.80
GRZ-10002	1.5	2.60
GRZ-10003	2	3.40
GRZ-10004	3	4.80
GRZ-10005	5	7.60
GRZ-10006	7.5	11.00
GRZ-10007	10	14.00
GRZ-10008	15	21.00
GRZ-10009	20	27.00
GRZ-10010	25	34.00
GRZ-10011	30	40.00
GRZ-10012	40	52.00
GRZ-10013	50	65.00
GRZ-10014	60	77.00

GRISWOLD WATER SYSTEMS
 1525 E. 6TH STREET CORONA CA 92879
 UL FILE # E332317
 SUPPLY VOLTAGE 460V / 3 PHASE / 60HZ
 MAXIMUM FLC: 7.6 AMPS
 MOTOR HP: 5 HP
 SHORT CIRCUIT CURRENT 100A
 RMS SYMMETRICAL 460V MAXIMUM

Notes:
 All wiring parts to be fully guarded.
 All Field wiring to be 12 AWG or larger.
 All Field wiring 12 AWG copper minimum, 90C-CUL RATED W/.
 Use copper conductors only for terminus wire.
 Intended for connection only to copper wire.
 Broken lines indicate field wiring.
 Protect circuit as per NEC requirements.
 Main service disconnect switch is motor rated only.
 upstream circuit protection and panel disconnecting
 means required. NEMA 4 CNST. ENV/R TYPE 1.

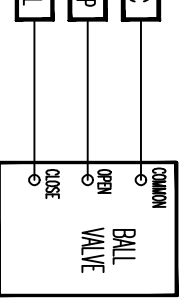
GRISWOLD WATER SYSTEMS
 FILE: E332317

Revisions:

Rev	Description	Date
B	PURGE START REV. B ADDED	08-09-2011 TB

Job Name: GRZ10005
 Title: PUMP CONTROL W/PURGE BALL VALVE
 Engineer:

Date: 08-09-2011
 Rev: TB
 Drawing #: G9592-340



NOTE: VALVE WILL NOT OPEN WHEN PUMP IS OFF