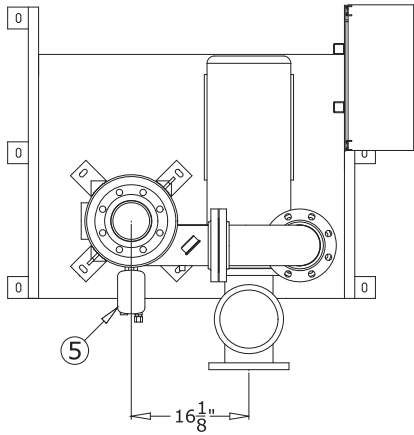


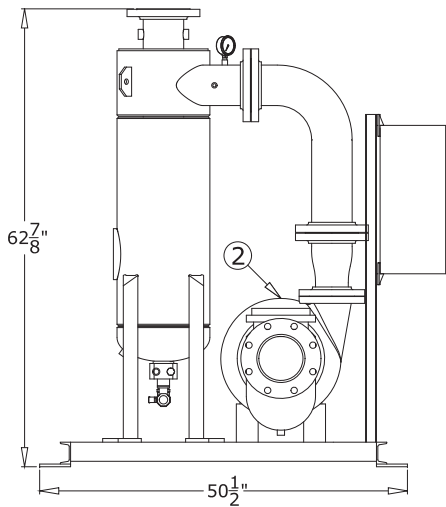
This drawing is for spatial consideration only. Do not pre-plumb to these dimensions.



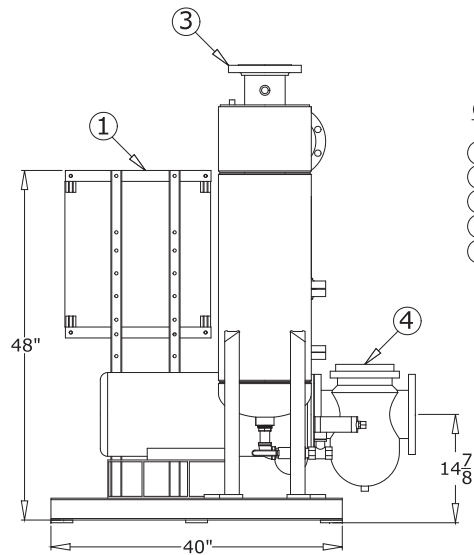
PLAN VIEW

NOTES

1. GLS INLET IS 5" PIPE (CLASS 150 FLANGE)/CSS IS 4" PIPE (CLASS 150 FLG.)
2. OUTLET IS 5" PIPE (CLASS 150 FLANGE)
3. PURGE OUTLET IS 1-1/2"
4. MAXIMUM PRESSURE: 150 psi (10.3 bar)
5. SPECIFIED FLOWRATE OF 510 gpm
6. MAXIMUM TEMPERATURE: 120°F (48.9°C)
7. FLOODED SUCTION REQUIRED
8. INLET/OUTLET VALVE KIT OPTIONAL



ELEVATION VIEW



SIDE VIEW

COMPONENT LIST

- ① ELECTRICAL CONTROL PANEL
- ② PUMP
- ③ SEPARATOR: CS-5T-FLG
- ④ BASKET STRAINER OPTIONAL-SHIPPED LOOSE
- ⑤ PURGE VALVE

THIS DOCUMENT MAY CONTAIN PROPRIETARY INFORMATION. IT MAY NOT BE REPRODUCED OR TRANSFERRED TO OTHERS OR USED FOR MANUFACTURING OR ANY OTHER PURPOSE WITHOUT PRIOR WRITTEN PERMISSION.		GRISWOLD WATER SYSTEMS 1597 INDUSTRIAL DRIVE, NEW SMYRNA BEACH, FL 32168		
		CSS-500-HH		
DRAWN	-	DATE: 4-15-11	-	MATERIAL: CARBON STEEL
APPRD	-			WEIGHT: 1000 lbs. (454 kg.)
		DRAWING NO.	-	SCALE
		SIZE	A	REV.
				SHEET 1 OF 1