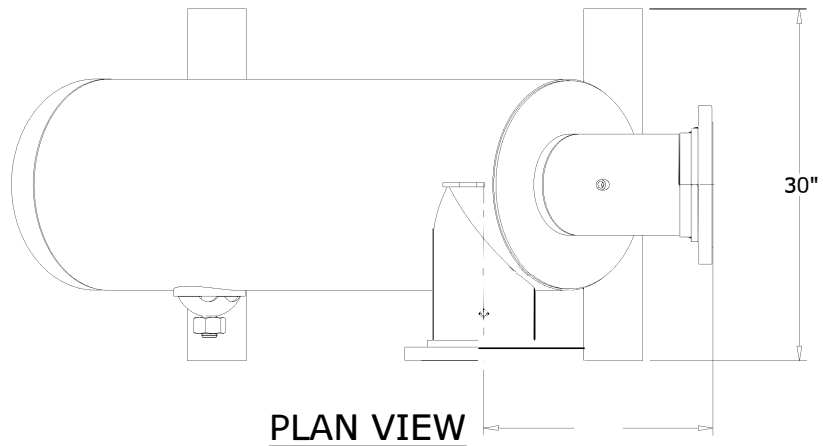
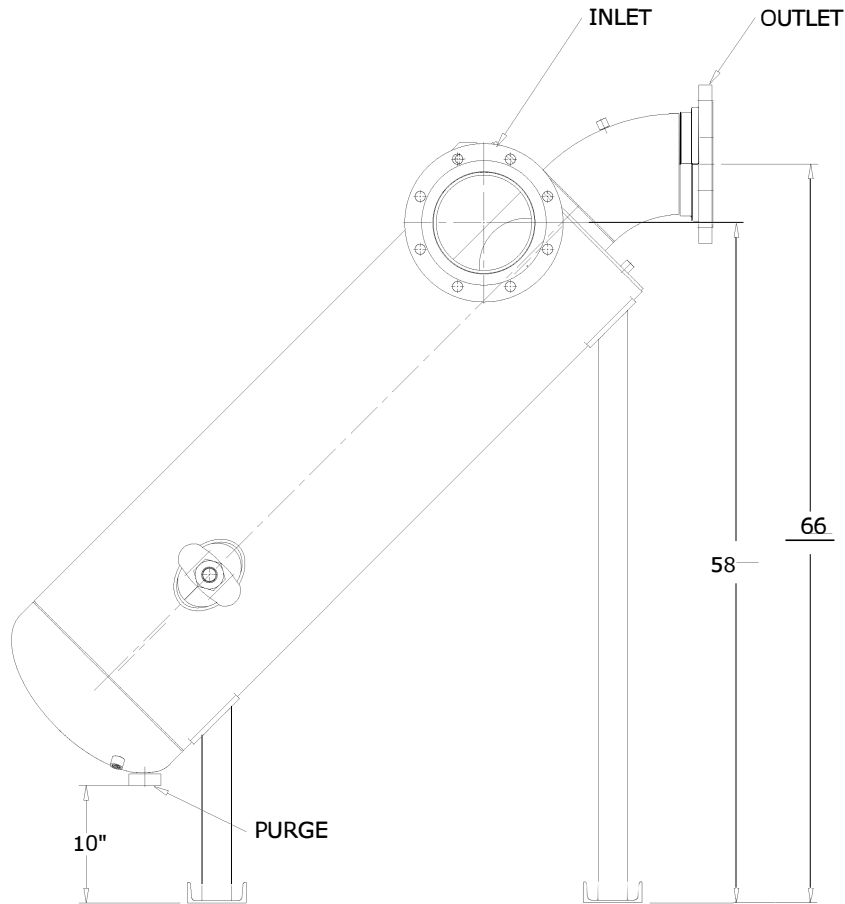


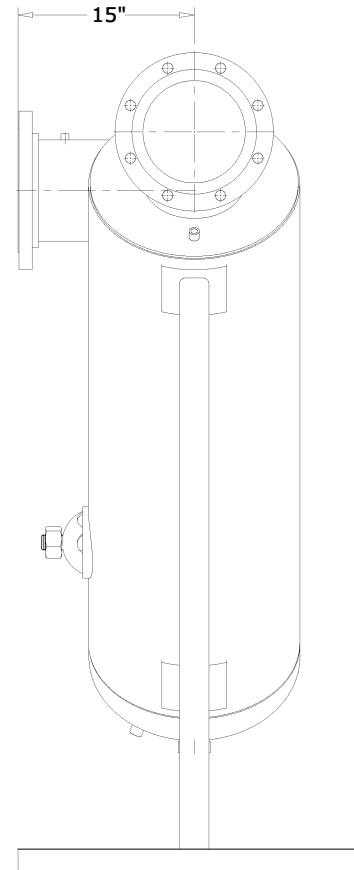
This drawing is for spatial consideration only. Do not pre-plumb to these dimensions.



PLAN VIEW



ELEVATION VIEW



SIDE VIEW

NOTES

1. INLET IS 8" PIPE (150# FLANGE)
2. OUTLET IS 8" PIPE (150# FLANGE)
3. MAXIMUM PRESSURE: 150 psi @ 150 Deg. F
4. SPECIFIED FLOWRATE OF 101 to 1870 gpm
5. PURGE IS 2" PIPE (NPT THREAD)
6. ASME CERTIFICATION

THIS DOCUMENT MAY CONTAIN PROPRIETARY INFORMATION. IT MAY NOT BE REPRODUCED OR TRANSFERRED TO OTHERS OR USED FOR MANUFACTURING OR ANY OTHER PURPOSE WITHOUT PRIOR WRITTEN PERMISSION.

GRISWOLD WATER SYSTEMS
1597 INDUSTRIAL DRIVE, NEW SMYRNA BEACH, FL 32168

CS-8T-LPA

DRAWN R. Kazanjy	DATE 1-6-2016	MATERIAL: CARBON STEEL	DRAWING NO. -	SIZE A	REV. A
APPRD -	-	WEIGHT: 560 lbs. (254 kg.)	SCALE	SHEET 1 OF 1	