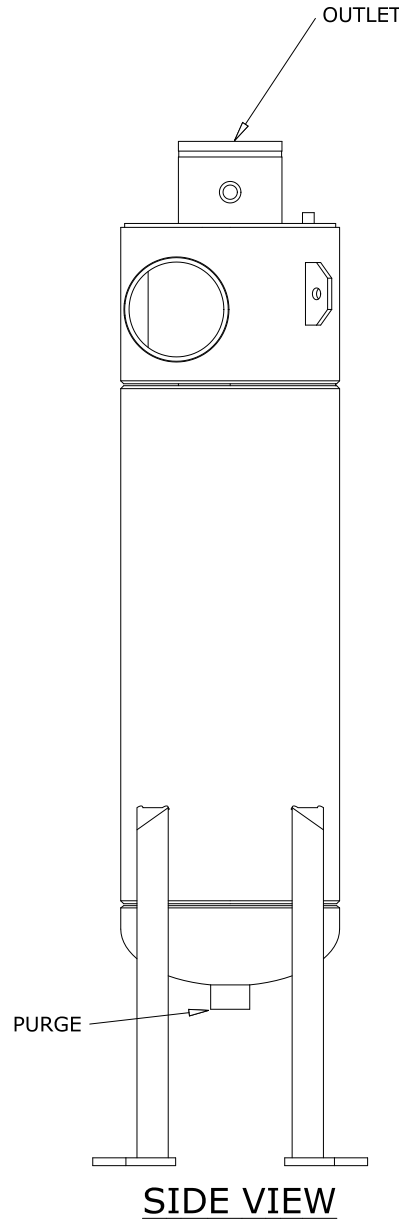
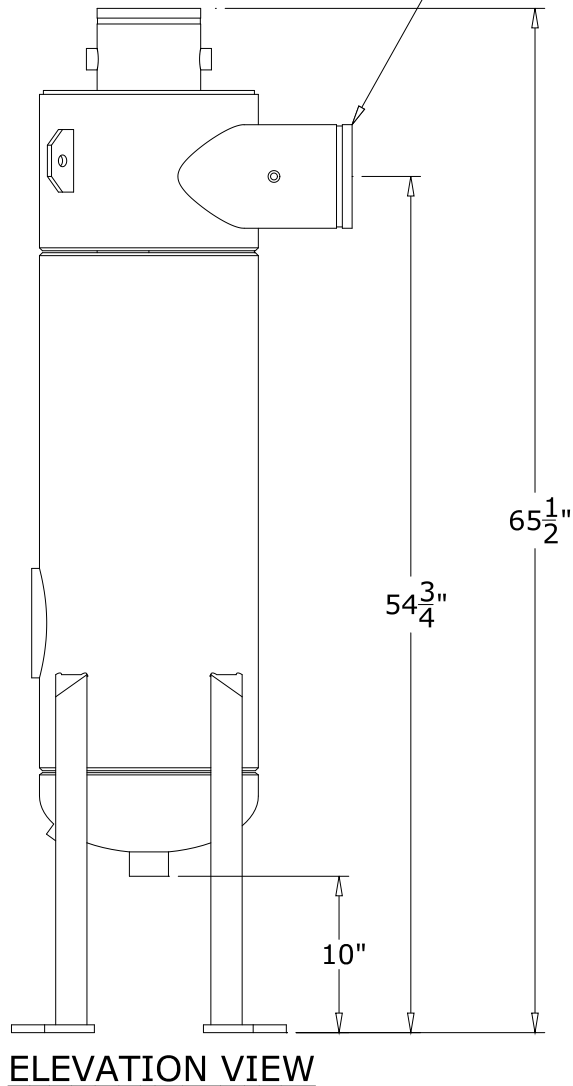
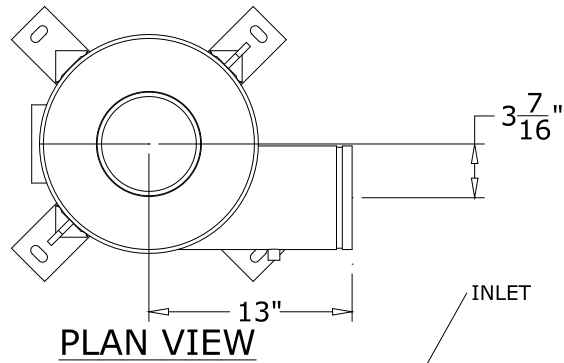


This drawing is for spatial consideration only. Do not pre-plumb to these dimensions.



NOTES

1. INLET IS 6" PIPE (GROOVED)
2. OUTLET IS 6" PIPE (GROOVED)
3. MAXIMUM PRESSURE: 150 psi @ 250 Deg. F
4. SPECIFIED FLOWRATE OF 440 to 1200 gpm
5. PURGE IS 1-1/2" PIPE (NPT THREAD)

THIS DOCUMENT MAY CONTAIN PROPRIETARY INFORMATION. IT MAY NOT BE REPRODUCED OR TRANSFERRED TO OTHERS OR USED FOR MANUFACTURING OR ANY OTHER PURPOSE WITHOUT PRIOR WRITTEN PERMISSION.		GRISWOLD WATER SYSTEMS 1597 INDUSTRIAL DRIVE, NEW SMYRNA BEACH, FL 32168									
		CS-6T-GE									
DRAWN	-	DATE	-	MATERIAL:	CARBON STEEL	DRAWING NO.	-	SIZE	A	REV.	-
APPRD	-			WEIGHT:	335 lbs. (152 kg.)	SCALE		SHEET	1	OF	1