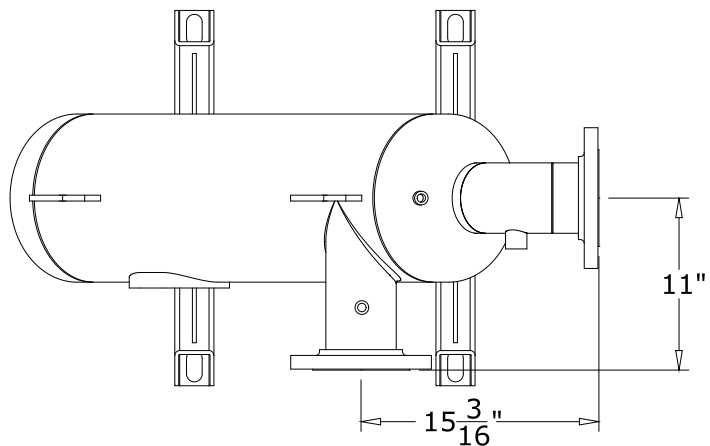


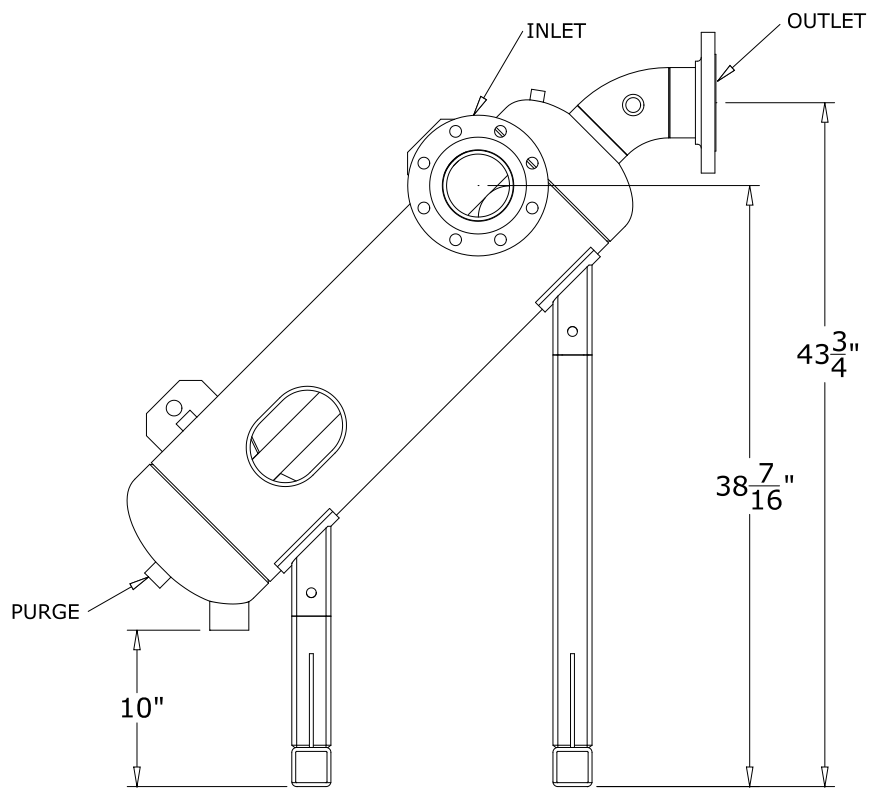
This drawing is for spatial consideration only. Do not pre-plumb to these dimensions.



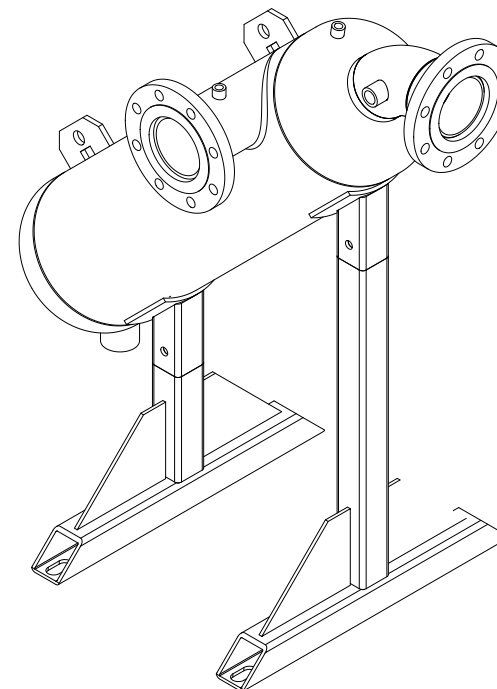
PLAN VIEW

NOTES

1. INLET IS 4" PIPE (150# FLANGE)
2. OUTLET IS 4" PIPE (150# FLANGE)
3. MAXIMUM PRESSURE: 150 psi @ 250 Deg. F
4. SPECIFIED FLOWRATE OF 190 to 450 gpm
5. PURGE IS 1-1/2" PIPE (NPT THREAD)



ELEVATION VIEW



THIS DOCUMENT MAY CONTAIN PROPRIETARY INFORMATION. IT MAY NOT BE REPRODUCED OR TRANSFERRED TO OTHERS OR USED FOR MANUFACTURING OR ANY OTHER PURPOSE WITHOUT PRIOR WRITTEN PERMISSION.

GRISWOLD WATER SYSTEMS
1597 INDUSTRIAL DRIVE, NEW SMYRNA BEACH, FL 32168

CS-4T-LPF

DRAWN	-	DATE	-	MATERIAL:	DRAWING NO.	SIZE	REV.
APPRD	-		-	CARBON STEEL	-	A	-
				WEIGHT:280 lbs. (127 kg.)	SCALE		SHEET 1 OF 1