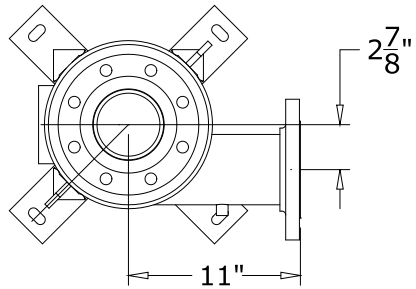
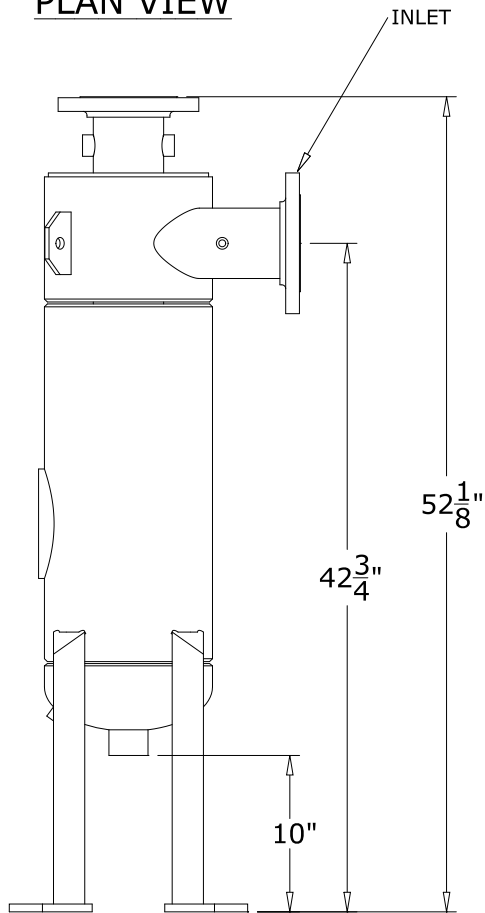


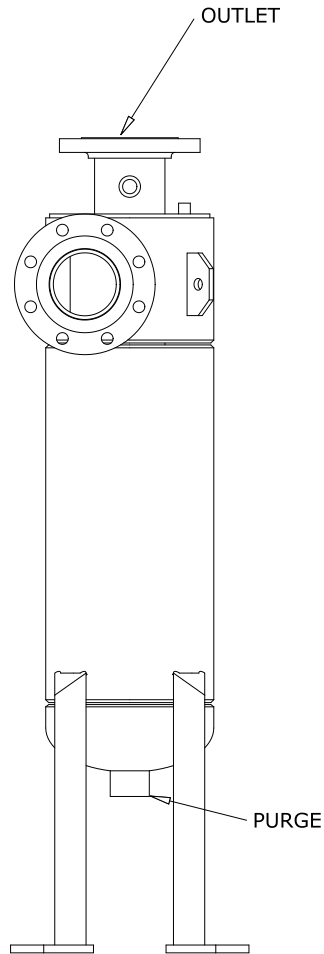
This drawing is for spatial consideration only. Do not pre-plumb to these dimensions.



**PLAN VIEW**



**ELEVATION VIEW**



**SIDE VIEW**

**NOTES**

1. INLET IS 4" PIPE (150# FLANGE)
2. OUTLET IS 4" PIPE (150# FLANGE)
3. MAXIMUM PRESSURE: 150 psi @ 250 Deg. F
4. SPECIFIED FLOWRATE OF 190 to 450 gpm
5. PURGE IS 1-1/2" PIPE (NPT THREAD)

THIS DOCUMENT MAY CONTAIN PROPRIETARY INFORMATION. IT MAY NOT BE REPRODUCED OR TRANSFERRED TO OTHERS OR USED FOR MANUFACTURING OR ANY OTHER PURPOSE WITHOUT PRIOR WRITTEN PERMISSION.		<b>GRISWOLD WATER SYSTEMS</b>			
		1597 INDUSTRIAL DRIVE, NEW SMYRNA BEACH, FL 32168			
		<b>CS-4T-FLG</b>			
DRAWN	-	DATE	-	MATERIAL:	CARBON STEEL
APPRD	-			DRAWING NO.	-
				SCALE	
				WEIGHT: 280 lbs. (127 kg.)	
				SIZE	A
				REV.	-
				SHEET	1 OF 1