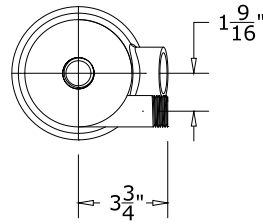
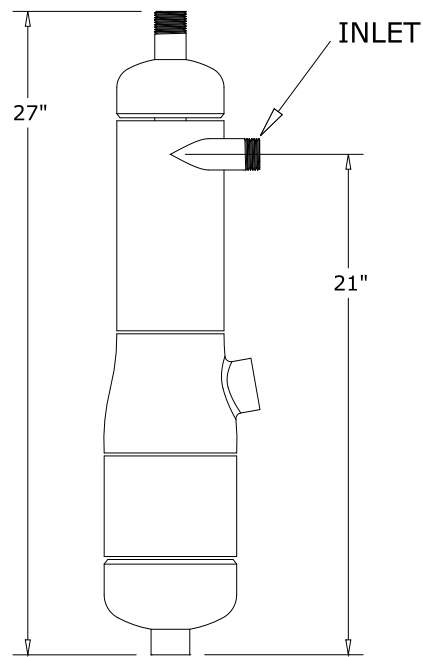


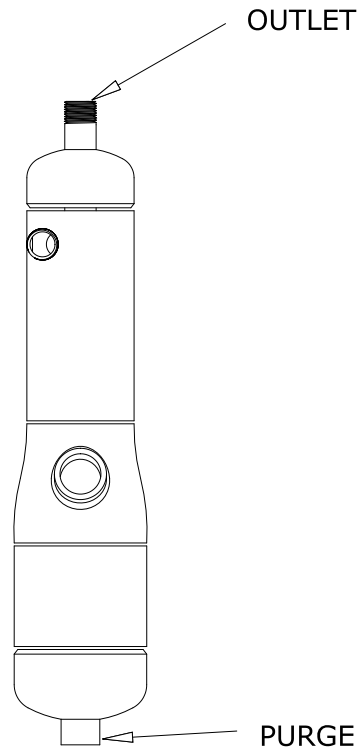
This drawing is for spatial consideration only. Do not pre-plumb to these dimensions.



PLAN VIEW



ELEVATION VIEW



SIDE VIEW

NOTES

1. INLET IS 1" PIPE (NPT THREAD)
2. OUTLET IS 1" PIPE (NPT THREAD)
3. MAXIMUM PRESSURE: 150 psi @ 250 Deg. F
4. SPECIFIED FLOWRATE OF 14 to 29 gpm
5. PURGE IS 1" PIPE (NPT THREAD)
6. ASME CODE

THIS DOCUMENT MAY CONTAIN PROPRIETARY INFORMATION. IT MAY NOT BE REPRODUCED OR TRANSFERRED TO OTHERS OR USED FOR MANUFACTURING OR ANY OTHER PURPOSE WITHOUT PRIOR WRITTEN PERMISSION.		GRISWOLD WATER SYSTEMS 1597 INDUSTRIAL DRIVE, NEW SMYRNA BEACH, FL 32168									
		CS-1T-THA									
DRAWN	-	DATE	-	MATERIAL:	CARBON STEEL	DRAWING NO.	-	SIZE	A	REV.	-
APPRD	-	-	-	WEIGHT:	25 lbs. (11 kg.)	SCALE		SHEET	1	OF	1