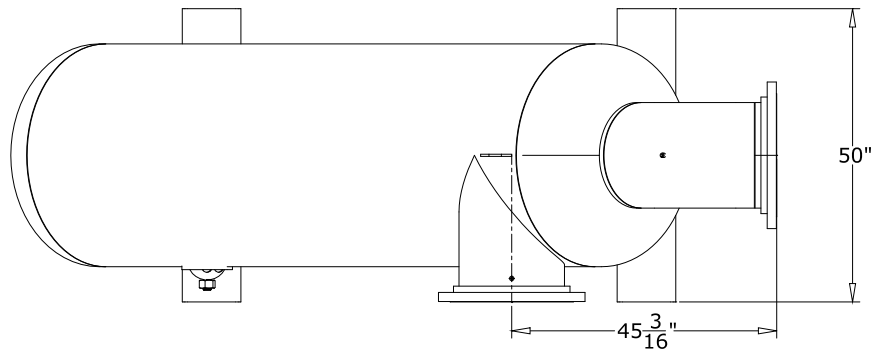


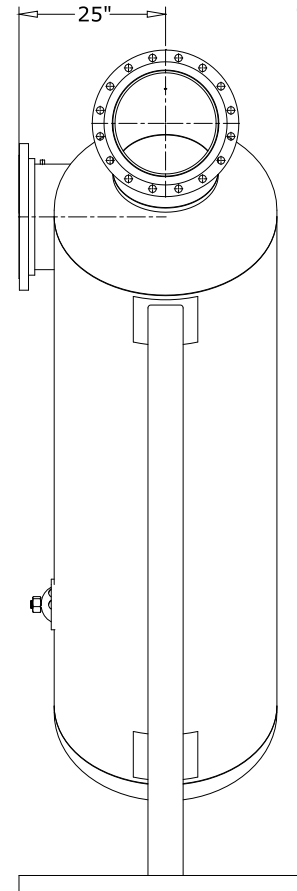
This drawing is for spatial consideration only. Do not pre-plumb to these dimensions.

NOTES

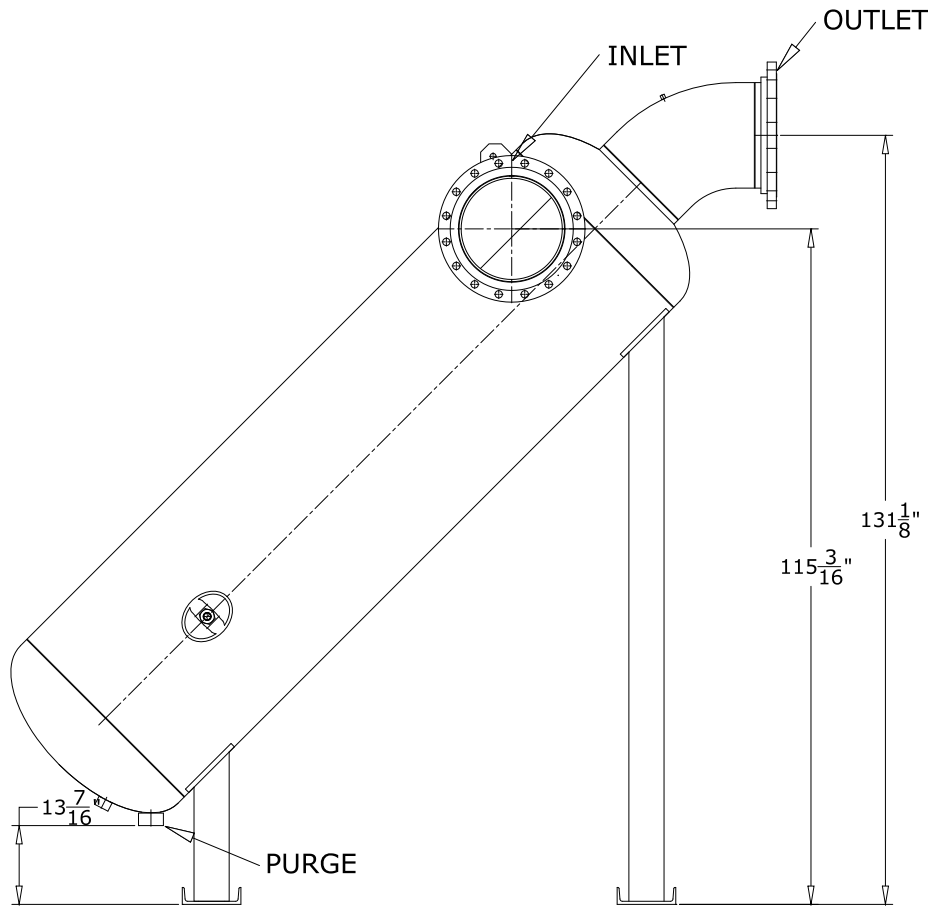
1. INLET IS 18" PIPE (150# FLANGE)
2. OUTLET IS 18" PIPE (150# FLANGE)
3. MAXIMUM PRESSURE: 150 psi @ 250 Deg. F
4. SPECIFIED FLOWRATE OF 4000 to 8200 gpm
5. PURGE IS 3" PIPE (NPT THREAD)
6. ASME CODE



PLAN VIEW



SIDE VIEW



ELEVATION VIEW

THIS DOCUMENT MAY CONTAIN PROPRIETARY INFORMATION. IT MAY NOT BE REPRODUCED OR TRANSFERRED TO OTHERS OR USED FOR MANUFACTURING OR ANY OTHER PURPOSE WITHOUT PRIOR WRITTEN PERMISSION.		GRISWOLD WATER SYSTEMS 1597 INDUSTRIAL DRIVE, NEW SMYRNA BEACH, FL 32168			
		CS-18T-LPA			
DRAWN	-	DATE	-	MATERIAL:	CARBON STEEL
APPRD	-			DRAWING NO.	-
				SCALE	
				WEIGHT: 1200lbs. (544 kg.)	
				SIZE	A
				REV.	-
				SHEET	1 OF 1