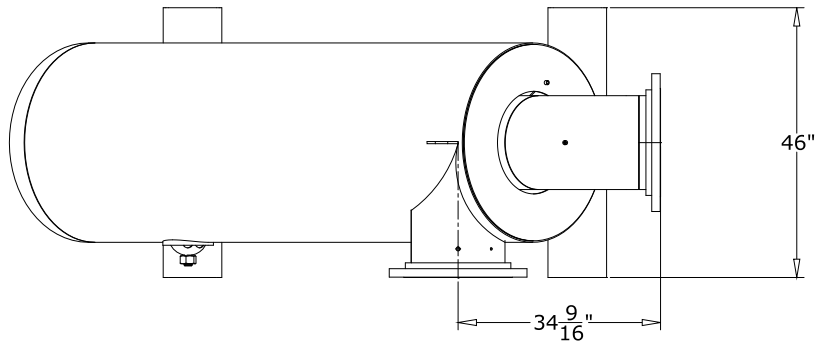
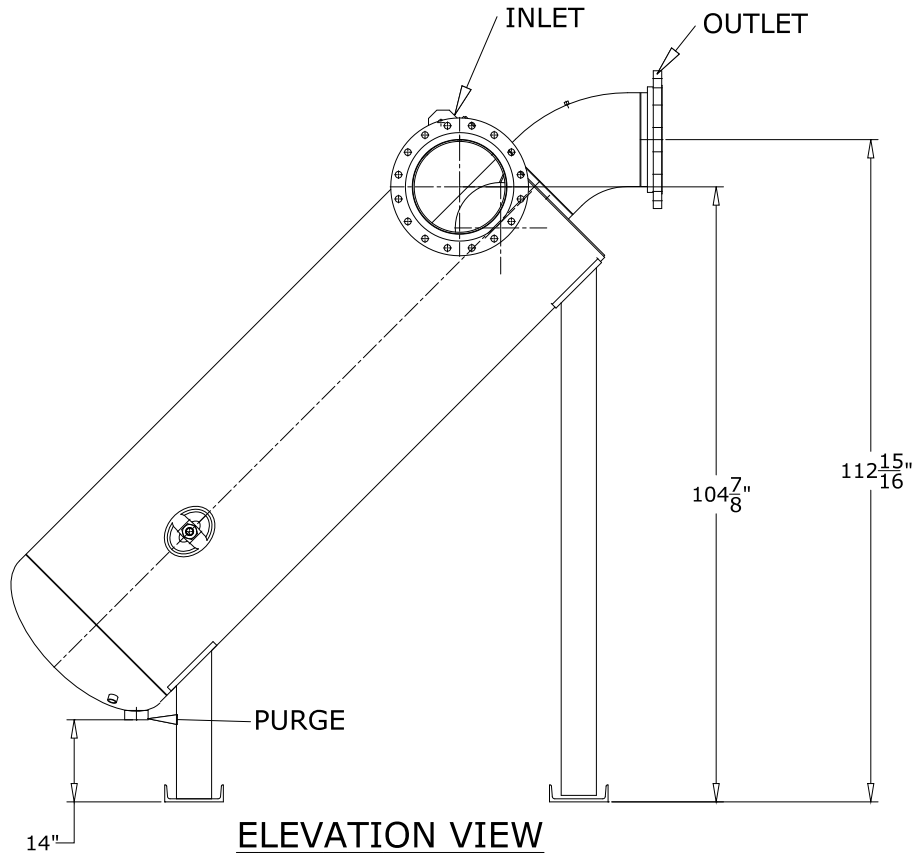


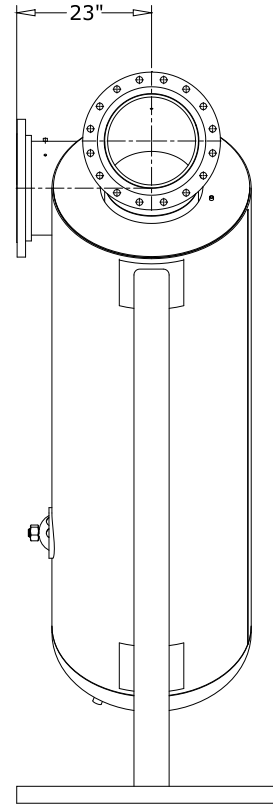
This drawing is for spatial consideration only. Do not pre-plumb to these dimensions.



PLAN VIEW



ELEVATION VIEW



SIDE VIEW

NOTES

1. INLET IS 16" PIPE (150# FLANGE)
2. OUTLET IS 16" PIPE (150# FLANGE)
3. MAXIMUM PRESSURE: 150 psi @ 250 Deg. F
4. SPECIFIED FLOWRATE OF 3300 to 6800 gpm
5. PURGE IS 3" PIPE (NPT THREAD)

THIS DOCUMENT MAY CONTAIN PROPRIETARY INFORMATION. IT MAY NOT BE REPRODUCED OR TRANSFERRED TO OTHERS OR USED FOR MANUFACTURING OR ANY OTHER PURPOSE WITHOUT PRIOR WRITTEN PERMISSION.

GRISWOLD WATER SYSTEMS
1597 INDUSTRIAL DRIVE, NEW SMYRNA BEACH, FL 32168

CS-16T-LPF

DRAWN	-	DATE	-	MATERIAL:	DRAWING NO.	SIZE	REV.
APPRD	-		-	CARBON STEEL	-	A	-
				WEIGHT: 1200lbs. (544 kg.)	SCALE		SHEET 1 OF 1