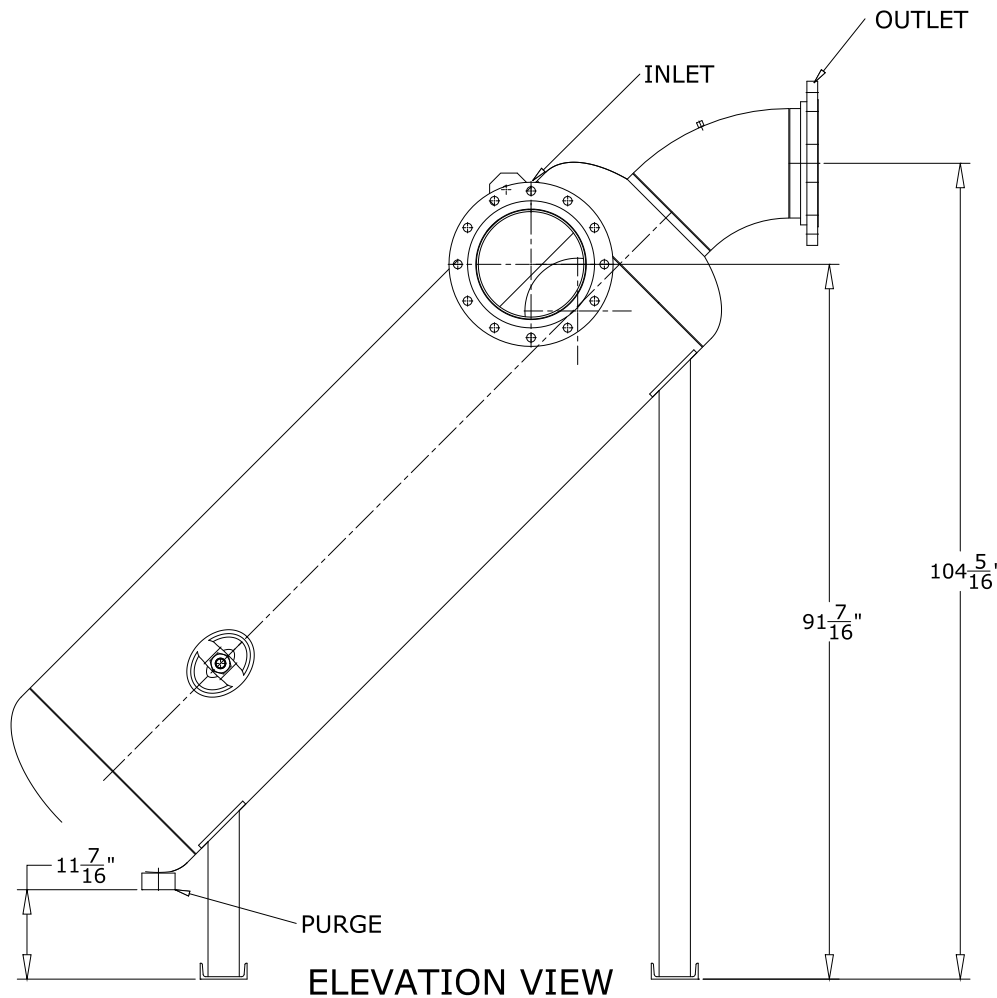
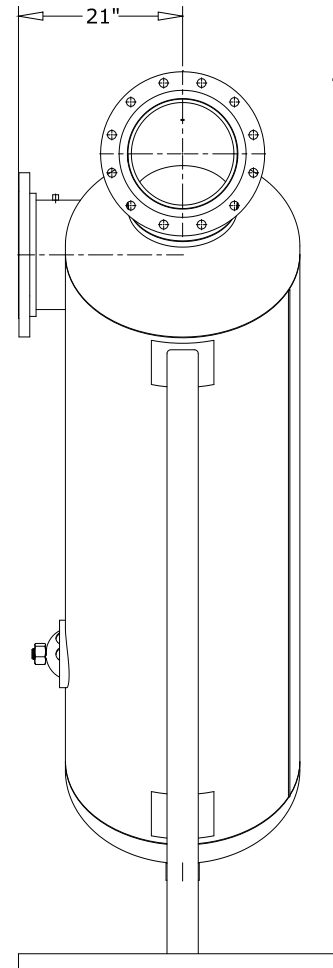
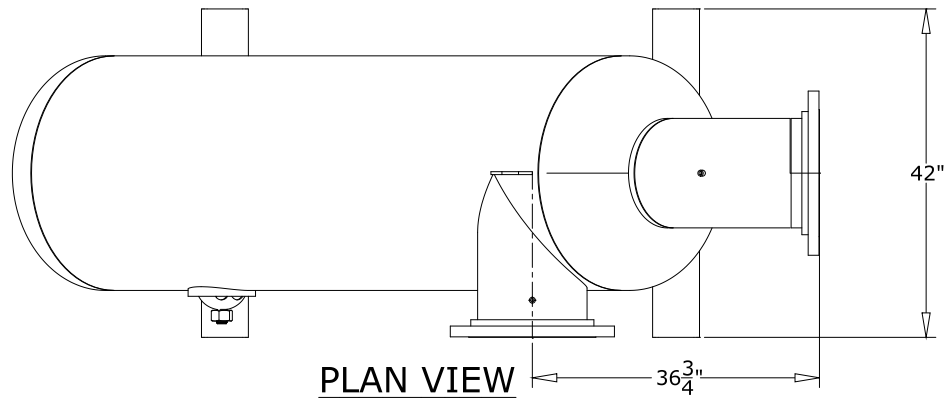


This drawing is for spatial consideration only. Do not pre-plumb to these dimensions.

NOTES

1. INLET IS 14" PIPE (150# FLANGE)
2. OUTLET IS 14" PIPE (150# FLANGE)
3. MAXIMUM PRESSURE: 150 psi @ 250 Deg. F
4. SPECIFIED FLOWRATE OF 2400 to 5000 gpm
5. PURGE IS 3" PIPE (NPT THREAD)
6. ASME CODE



THIS DOCUMENT MAY CONTAIN PROPRIETARY INFORMATION. IT MAY NOT BE REPRODUCED OR TRANSFERRED TO OTHERS OR USED FOR MANUFACTURING OR ANY OTHER PURPOSE WITHOUT PRIOR WRITTEN PERMISSION.

**GRISWOLD WATER SYSTEMS**  
1597 INDUSTRIAL DRIVE, NEW SMYRNA BEACH, FL 32168

**CS-14T-LPA**

DRAWN	-	DATE	-	MATERIAL:	DRAWING NO.	SIZE	REV.
APPRD	-			CARBON STEEL	-	A	-
				WEIGHT: 1200lbs. (544 kg.)	SCALE		SHEET 1 OF 1