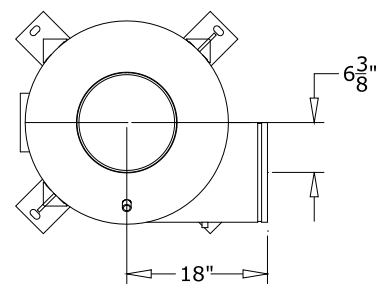


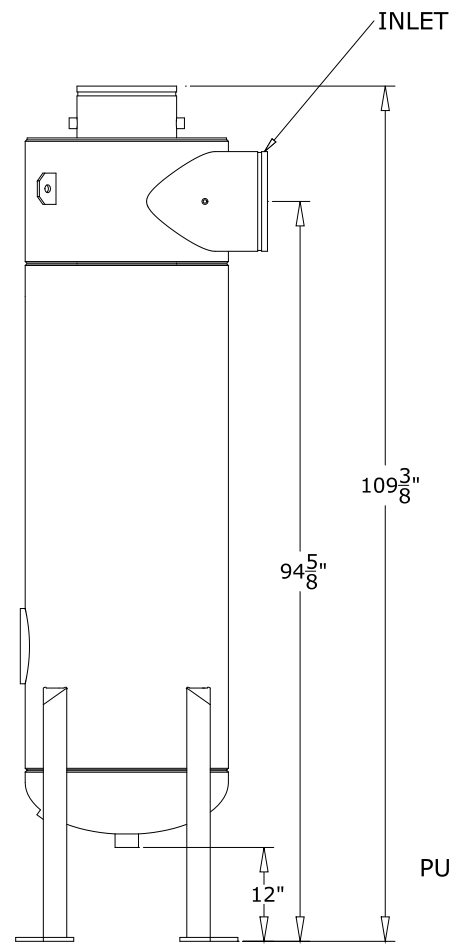
This drawing is for spatial consideration only. Do not pre-plumb to these dimensions.



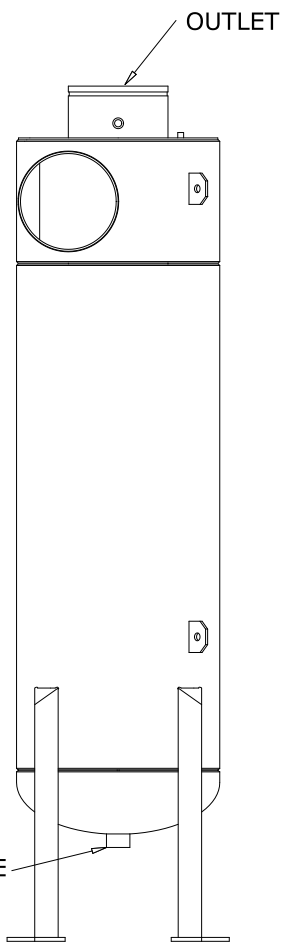
PLAN VIEW

NOTES

1. INLET IS 12" PIPE (GROOVED)
2. OUTLET IS 12" PIPE (GROOVED)
3. MAXIMUM PRESSURE: 150 psi @ 250 Deg. F
4. SPECIFIED FLOWRATE OF 1750 to 3900 gpm
5. PURGE IS 2" PIPE (NPT THREAD)



ELEVATION VIEW



SIDE VIEW

THIS DOCUMENT MAY CONTAIN PROPRIETARY INFORMATION. IT MAY NOT BE REPRODUCED OR TRANSFERRED TO OTHERS OR USED FOR MANUFACTURING OR ANY OTHER PURPOSE WITHOUT PRIOR WRITTEN PERMISSION.		GRISWOLD WATER SYSTEMS 1597 INDUSTRIAL DRIVE, NEW SMYRNA BEACH, FL 32168									
		<b>CS-12T-GE</b>									
DRAWN	-	DATE	-	MATERIAL:	CARBON STEEL	DRAWING NO.	-	SIZE	A	REV.	-
APPRD	-		-	WEIGHT:	1070lbs. (485 kg.)	SCALE		SHEET		1	OF 1