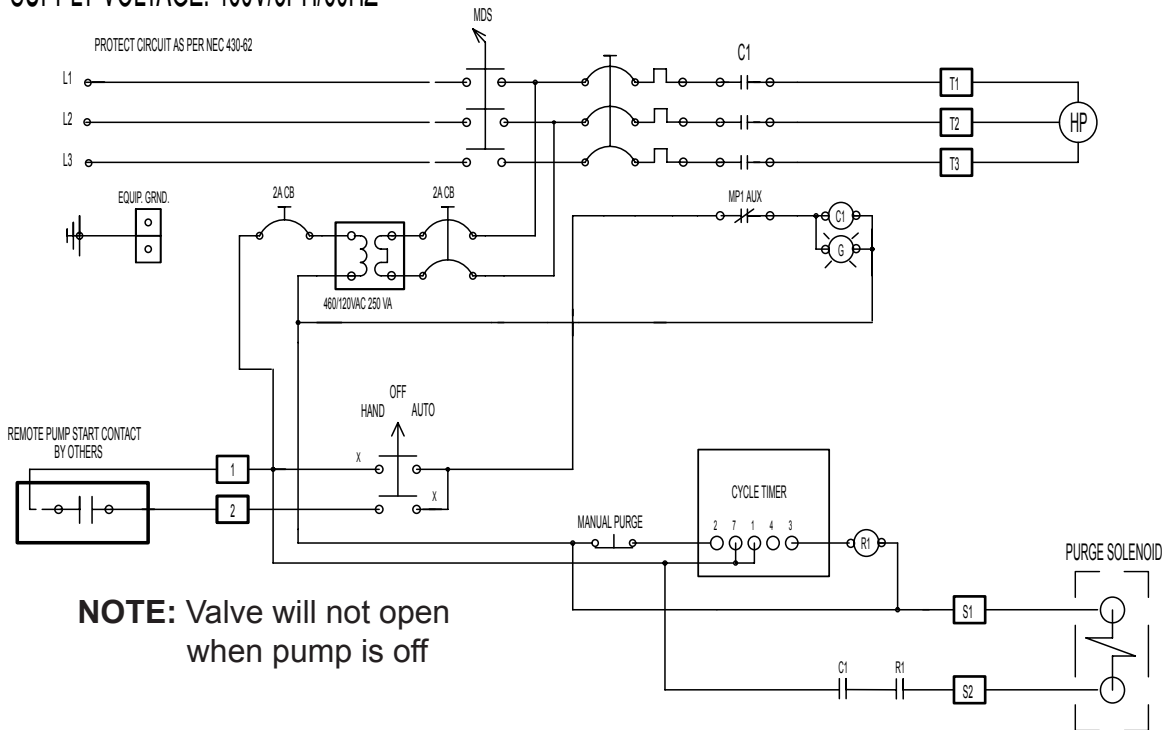
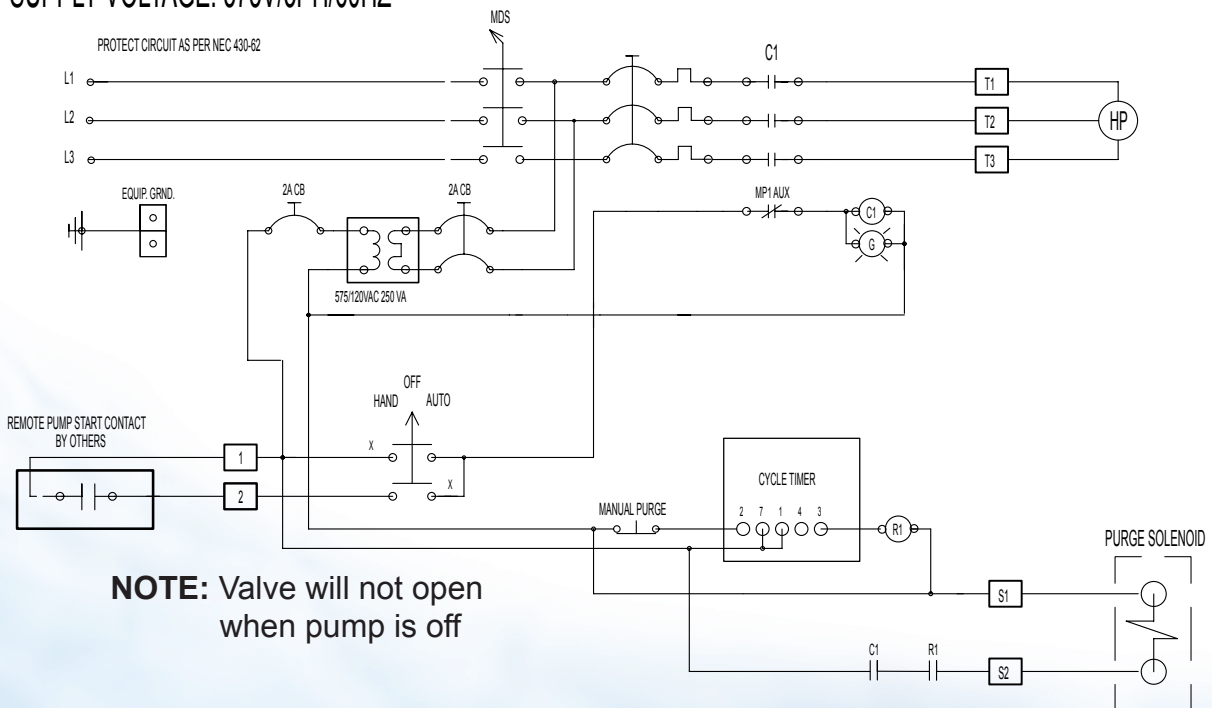


WIRING, CYC TIMER & MBVSR VALVE (CSS ONLY)

SUPPLY VOLTAGE: 460V/3PH/60HZ

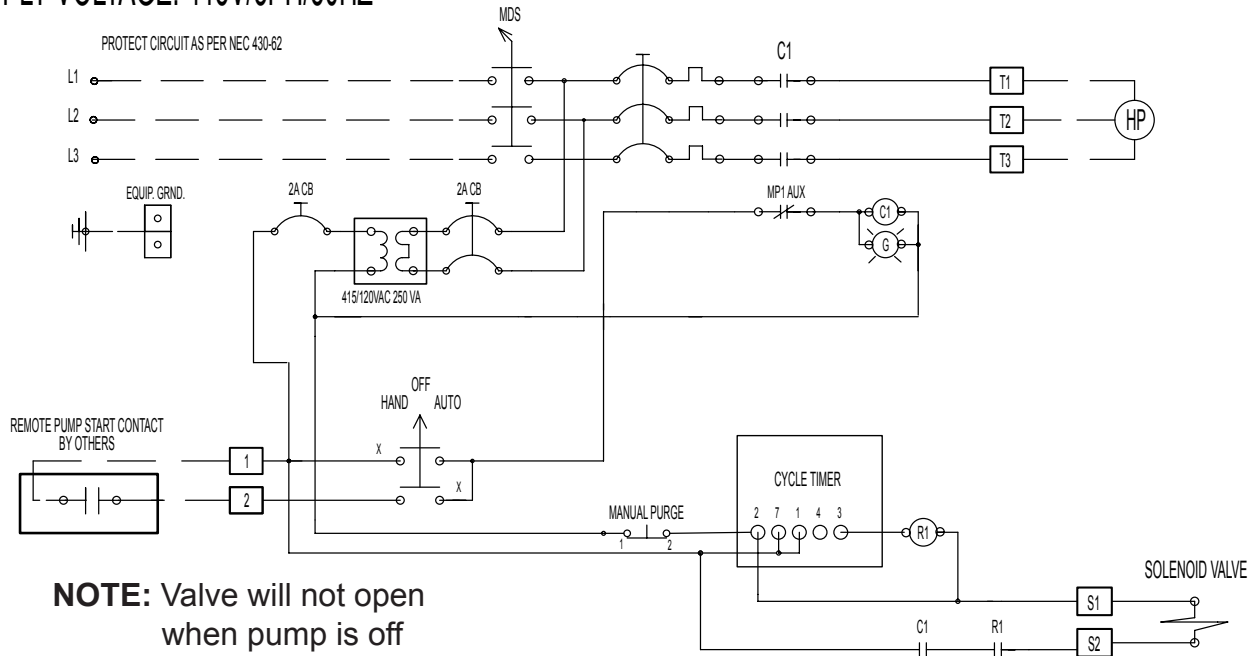


SUPPLY VOLTAGE: 575V/3PH/60HZ



WIRING, CYC TIMER & MBVSR VALVE (CSS ONLY)

SUPPLY VOLTAGE: 415V/3PH/50HZ



SUPPLY VOLTAGE: 380V/3PH/50HZ

