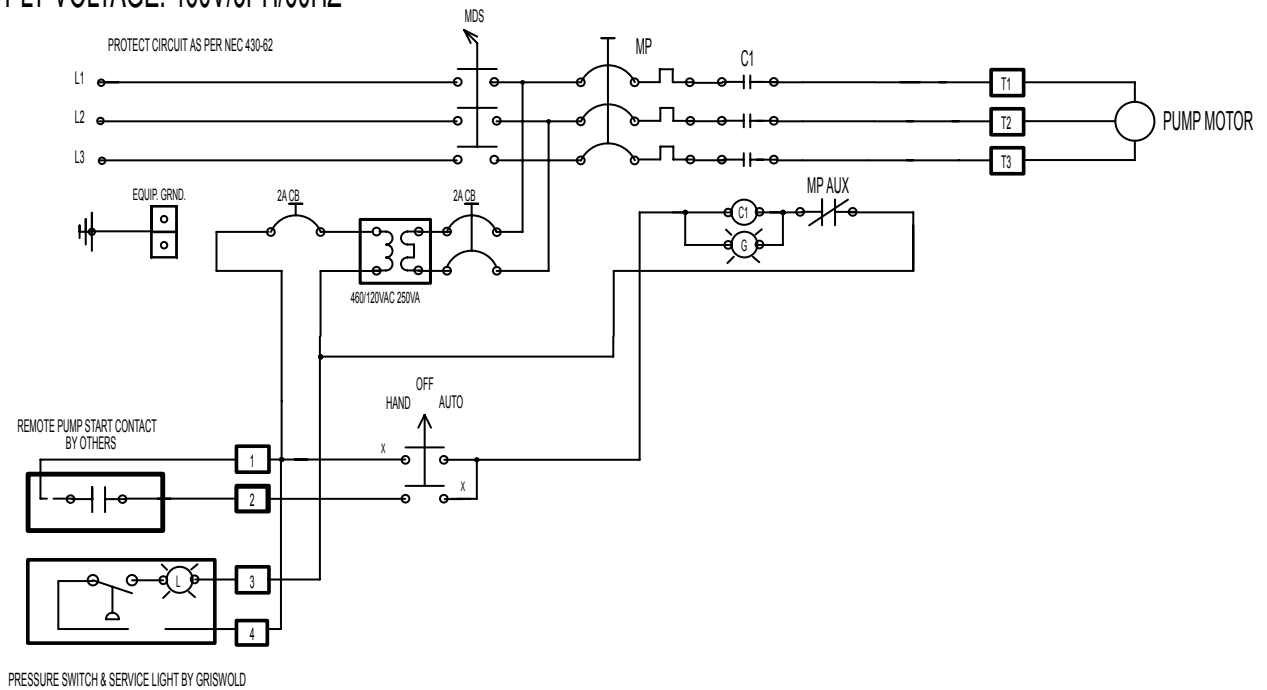


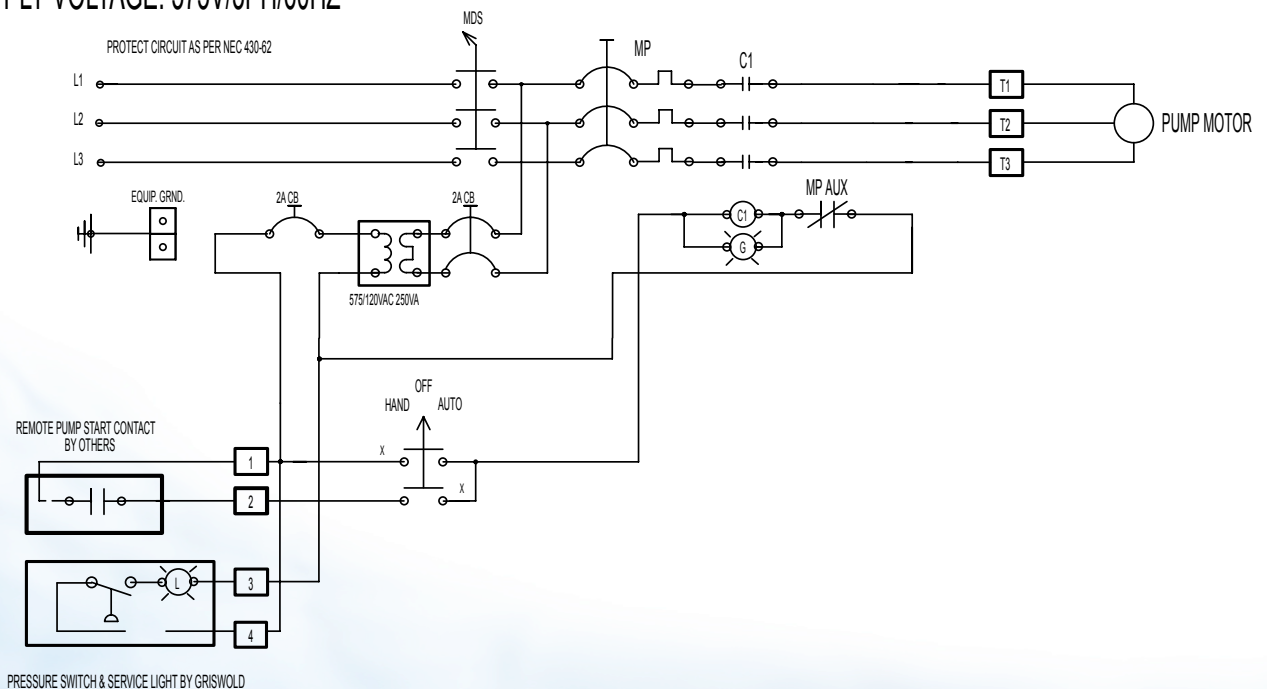
WIRING DIAGRAM w/SERVICE LIGHT (460V CSR Systems Only)

SUPPLY VOLTAGE: 460V/3PH/60HZ



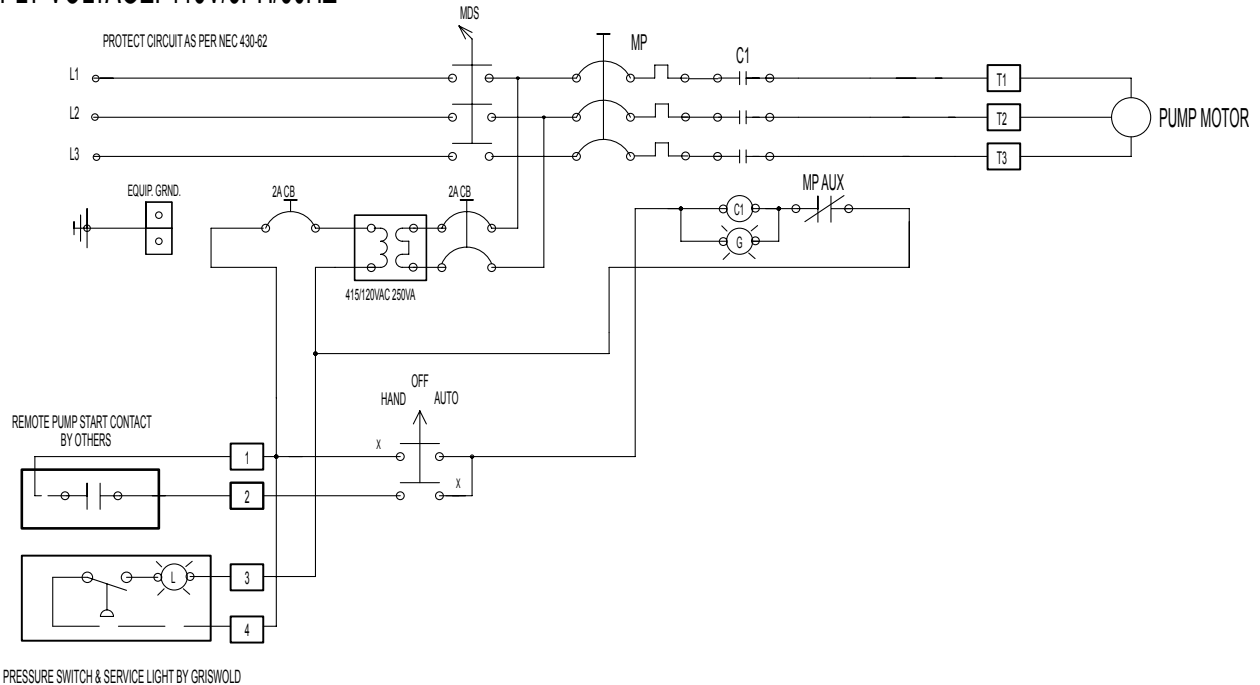
WIRING DIAGRAM w/SERVICE LIGHT (575V CSR Systems Only)

SUPPLY VOLTAGE: 575V/3PH/60HZ



WIRING DIAGRAM w/SERVICE LIGHT (415V 50Hz CSR Systems Only)

SUPPLY VOLTAGE: 415V/3PH/50HZ



WIRING DIAGRAM w/SERVICE LIGHT (380V 50Hz CSR Systems Only)

SUPPLY VOLTAGE: 380V/3PH/50HZ

