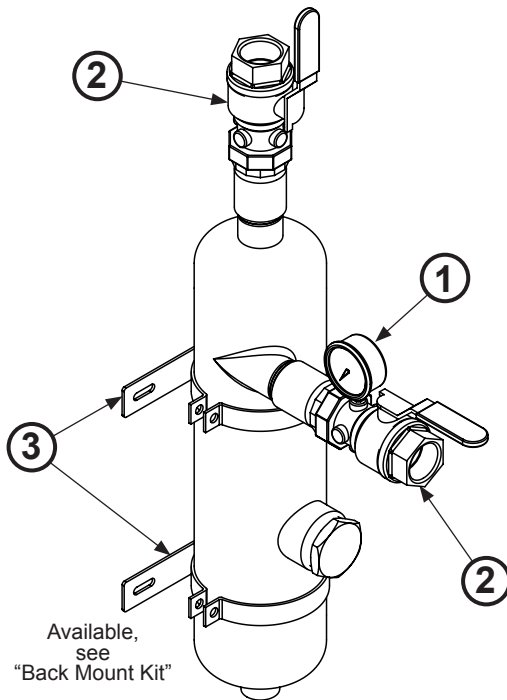


Threaded Separator Installation Kits



Griswold Filtration Installation Kits (SIK), are used to install threaded connection separators into steel or PVC piping systems with threaded connections. These kits include two specialty thread connection full port bronze bodied union ball valves (Item #2), with 1/4" FNPT taps. These 1/4" FNPT taps allow direct connection of the one liquid filled pressure gauge (Item #1), included. A separator Back Mount Kit (Item #3), used to mount a separator to a wall is available, see "Back Mounting and Foot Mounting Kit" specification sheet.

Separator Series	SIK Model	Gauges			Ball Valves		
		Diameter	Connection	Range	End Connections	Material	Gauge Outlet
.5T	SIK-.5	2-1/2"	1/4" MNPT Brass Stem	0-160 PSI	.5"NPT to 2" NPT	Forged Bronze Body Plated Brass Ball	1/4" FNPT
.75T	SIK-.75						
1T	SIK-1						
1.2T	SIK-1.2						
1.5T	SIK-1.5						
2T	SIK-2						